



Cat[®] Snow Pushes

SKID STEER LOADERS
MULTI TERRAIN LOADERS
COMPACT TRACK LOADERS
COMPACT WHEEL LOADERS
BACKHOE LOADERS
SMALL WHEEL LOADERS

Cat[®] Straight Snow Pushes are used for snow removal contractors clearing large parking lots, roads, runways, and other paved surfaces. Designed to capture, contain, and displace the maximum amount of snow in a single pass, the Cat Straight Snow Push offers superior productivity.

Features:

Two cutting edges

- Fitted with up to two cutting edges, the Cat Snow Pushes are equipped with a trip edge system incorporated into the base. The sectioned off moldboard springs back upon contact with unseen obstacles minimizing risk of damage to the Snow Push and machine.
- Steel – replaceable, bolt-on, hardened cutting edge delivers long life and high performance.
- Rubber – replaceable, bolt-on, 21 MPa (3,000 psi) tensile strength rubber ensures long life of the cutting edge.

Back drag

- Optional back drag equipped with rubber edge allows snow to be pulled away from loading docks, doors, and other tight spaces.

Adjustable skid shoes

- Adjustable skid shoes offer adjustability of the push cutting edge to suit operator preference and job site needs.

Profiled moldboard

- Profiled moldboard design rolls and folds snow, maximizing capacity of the snow push and improving productivity by minimizing snow clinging to its surface.

Streamlined support

- Streamlined sidewall support in addition to the large torque tube across the moldboard delivers long life and high performance in the most demanding of snow removal application. Outside box support is designed to minimize snow cling to the moldboard in addition to providing excellent support to the outer push sections.

Quick Coupler

- Available SSL Quick Coupler, IT Coupler, and Fusion[™] Coupler hold the work tool securely and allows the operator to quickly change from one high performance Cat Work Tool to another.

Bolt-on step

- Bolt-on step provides safe and ergonomic access to machine cab that is easily replaceable if damaged.

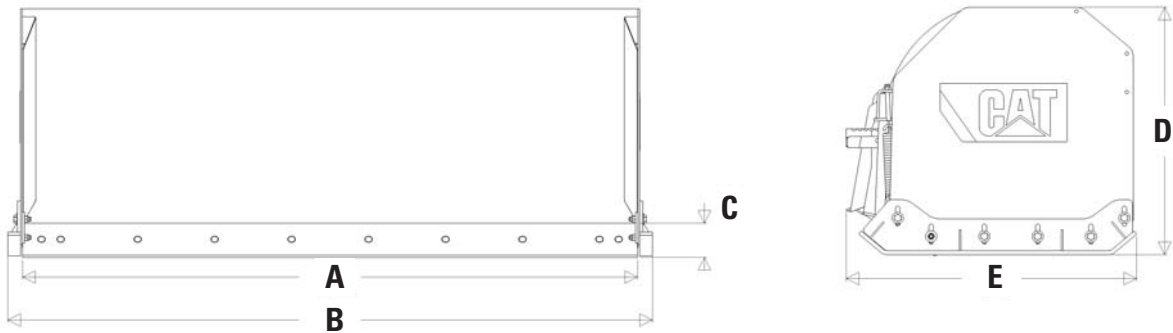
Cat® Snow Pushes



Compatibility

Snow Push Model	Machines
2.4 m (8 ft)	216B3, 226D, 232D, 236D, 239D, 242D, 246D, 249D, 257D, 259D, 262D, 272D2, 272D2 XHP, 277D, 279D, 287D, 289D, 297D2, 297D2 XHP, 299D2, 299D2 XHP, 903C, 906M, 907M, 908M
3.0 m (10 ft)	216B3, 226D, 232D, 236D, 239D, 242D, 246D, 249D, 257D, 259D, 262D, 272D2, 272D2 XHP, 277D, 279D, 287D, 289D, 297D2, 297D2 XHP, 299D2, 299D2 XHP, 415F2, 416F2, 420F2, 430F2, 903C, 906M, 907M, 908M, 910K, 914K
3.6 m (12 ft)	216B3, 226D, 232D, 236D, 239D, 242D, 246D, 249D, 257D, 259D, 262D, 272D2, 272D2 XHP, 277D, 279D, 287D, 289D, 297D2, 297D2 XHP, 299D2, 299D2 XHP, 415F2, 416F2, 420F2, 430F2, 903C, 906M, 907M, 908M, 910K, 914K, 926M, 930M, 938M
4.2 m (14 ft)	926M, 930M, 938M
4.9 m (16 ft)	926M, 930M, 938M

Specifications



			2.4 m (8 ft)		3.0 m (10 ft)		3.6 m (12 ft)	
A Working width	mm	(in)	2438	(96)	3048	(120)	3658	(144)
B Overall width	mm	(in)	2253	(100)	3162	(124)	3772	(148)
C Trip edge height	mm	(in)	119	(4.7)	119	(4.7)	119	(4.7)
D Height	mm	(in)	994	(39)	994	(39)	994	(39)
E Length	mm	(in)	1143	(45)	1143	(45)	1143	(45)
Weight	kg	(lb)	491	(1,082)	545	(1,203)	636	(1,403)
Trip edge			Steel		Steel		Steel	
Interface			SSL		SSL		SSL	

			2.4 m (8 ft)		3.0 m (10 ft)		3.6 m (12 ft)	
A Working width	mm	(in)	2438	(96)	3048	(120)	3658	(144)
B Overall width	mm	(in)	2253	(100)	3162	(124)	3772	(148)
C Trip edge height	mm	(in)	119	(4.7)	119	(4.7)	119	(4.7)
D Height	mm	(in)	994	(39)	994	(39)	994	(39)
E Length	mm	(in)	1143	(45)	1143	(45)	1143	(45)
Weight	kg	(lb)	470	(1,037)	523	(1,152)	611	(1,348)
Trip edge			Rubber		Rubber		Rubber	
Interface			SSL		SSL		SSL	

			3.0 m (10 ft)		3.6 m (12 ft)		3.0 m (10 ft)		3.6 m (12 ft)	
A Working width	mm	(in)	3048	(120)	3658	(144)	3048	(120)	3658	(144)
B Overall width	mm	(in)	3219	(127)	3829	(151)	3219	(127)	3829	(151)
C Trip edge height	mm	(in)	137	(5.4)	137	(5.4)	137	(5.4)	137	(5.4)
D Height	mm	(in)	906	(36)	906	(36)	906	(36)	906	(36)
E Length	mm	(in)	1279	(50)	1279	(50)	1279	(50)	1279	(50)
Weight	kg	(lb)	818	(1,804)	905	(1,994)	905	(1,994)	991	(2,185)
Trip edge			Steel		Steel		Steel		Steel	
Interface			IT		IT		Bucket Receiver		Bucket Receiver	

Cat® Snow Pushes

Specifications

			3.6 m (12 ft)		4.2 m (14 ft)		4.9 m (16 ft)	
A	Working width	mm (in)	3658 (144)	4267 (168)	4267 (168)	4877 (192)	4877 (192)	
B	Overall width	mm (in)	3829 (151)	4438 (175)	4438 (175)	5048 (199)	5048 (199)	
C	Trip edge height	mm (in)	137 (5.4)	137 (5.4)	137 (5.4)	137 (5.4)	137 (5.4)	
D	Height	mm (in)	1128 (44)	1128 (44)	1128 (44)	1128 (44)	1128 (44)	
E	Length	mm (in)	1575 (62)	1575 (62)	1575 (62)	1575 (62)	1575 (62)	
	Weight	kg (lb)	1330 (2,931)	1441 (3,177)	1441 (3,177)	1552 (3,422)	1552 (3,422)	
	Trip edge		Steel	Steel	Steel	Steel	Steel	
	Interface		Fusion	Fusion	Fusion	Fusion	Fusion	

			3.6 m (12 ft)		4.2 m (14 ft)		4.9 m (16 ft)	
A	Working width	mm (in)	3658 (144)	4267 (168)	4267 (168)	4877 (192)	4877 (192)	
B	Overall width	mm (in)	3829 (151)	4438 (175)	4438 (175)	5048 (199)	5048 (199)	
C	Trip edge height	mm (in)	137 (5.4)	137 (5.4)	137 (5.4)	137 (5.4)	137 (5.4)	
D	Height	mm (in)	1086 (43)	1086 (43)	1086 (43)	1086 (43)	1086 (43)	
E	Length	mm (in)	1575 (62)	1575 (62)	1575 (62)	1575 (62)	1575 (62)	
	Weight	kg (lb)	1264 (2,786)	1375 (3,031)	1375 (3,031)	1486 (3,277)	1486 (3,277)	
	Trip edge		Steel	Steel	Steel	Steel	Steel	
	Interface		Bucket Receiver	Bucket Receiver	Bucket Receiver	Bucket Receiver	Bucket Receiver	

For more complete information on Cat products, dealer services, and industry solutions, visit us on the web at www.cat.com

AEHQ7751 (12-2015)

© 2015 Caterpillar
All rights reserved

Materials and specifications are subject to change without notice. Featured machines in photos may include additional equipment. See your Cat dealer for available options.

CAT, CATERPILLAR, SAFETY.CAT.COM, their respective logos, "Caterpillar Yellow" and the "Power Edge" trade dress, as well as corporate and product identity used herein, are trademarks of Caterpillar and may not be used without permission.

