

# OPTIONAL COLLECTION

---







**Quality, craftsmanship and innovation.  
The secret lies in precision. Having clear ideas is vital:  
we need to know where we want to go and what we want to create.  
And at Magni, we throw our all into accomplishing it.**

**Riccardo Magni – President**

---

Magni Telescopic Handlers was founded in 2013. Thus began the development of the widest range of telescopic handlers on the market; from rotating telescopic handlers to fixed, heavy-duty models and fixed-boom construction telescopic handlers. Italy was no longer enough and so six further branches have been set up: Magni TH France, Magni UK, Magni America, Magni Deutschland, Magni SA and Magni Asia Pacific. To offer our clients the best technical and commercial service around, we have created a network of over 300 dealers, a number that is constantly increasing. And that is just the beginning of our story.

# OPTIO NAL COLLEC TION



# 01

## CARE & COMFORT

---

**Magni** gives full attention to operator comfort. Small details are the proof that **Magni** put all its efforts into having the maximum results of care and construction precision.

### SECTION 1-1

# 02

## PERFORMANCE & WORKING EXPERIENCE

---

Everything revolves around excellent performances that make using a **Magni** a unique experience. An experience where the operator is the center, who will be able to do his best during working hours.

### SECTION 2-1

# 03

## SAFE & SECURE

---

Safety at **Magni** means products that comply with the latest regulations on health and safety in any working place and building site.

### SECTION 3-1



# 04

## SPECIAL CERTIFICATIONS

---

**Magni** offers its network special certifications required for various markets. Search for the one you require.

### SECTION 4-1

# 05

## SPECIAL

---

For each special application **Magni** has the right solution, that allow you to do the job in complete safety and enhance the machine's performances.

### SECTION 5-1

**MAGNI**

**MAGNI**

107 8

ESP  
ESP

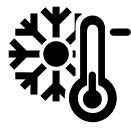


---

## CARE & COMFORT

**Magni** gives full attention to operator comfort. Small details are the proof that **Magni** put all its efforts into having the maximum results of care and construction precision.

# 01

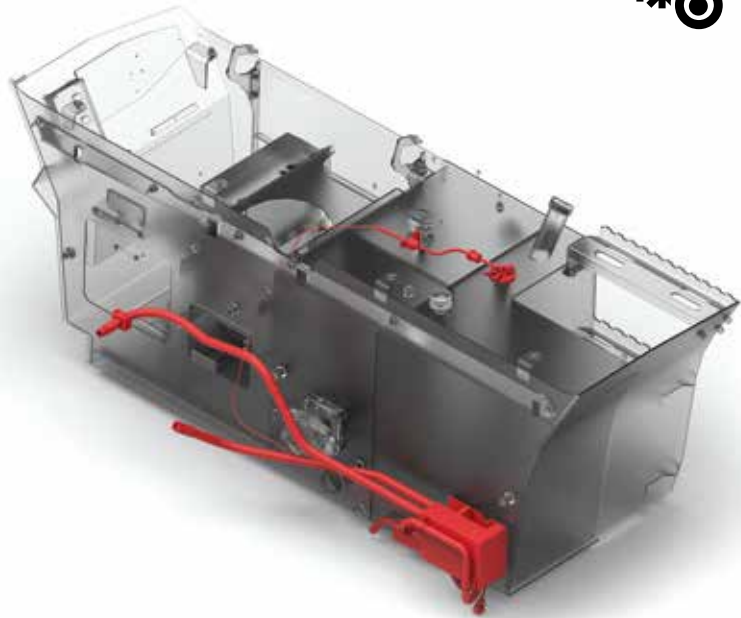


## ADDITIONAL HEATER 24 V (EBERSPÄCHER)

---

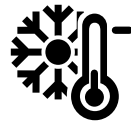
OPT-01-002

Option composed of a programmable auxiliary burner which allows the cab to be heated in cold weather in order to improve operator comfort.



**Existing kit**

**RTH - HTH - TH**



## REMOTE CONTROL FOR ADDITIONAL HEATER 24 V (EBERSPÄCHER)

---

OPT-01-003

An additional option to make cab pre-heating even more practical and functional by allowing remote operation.



**Existing kit**

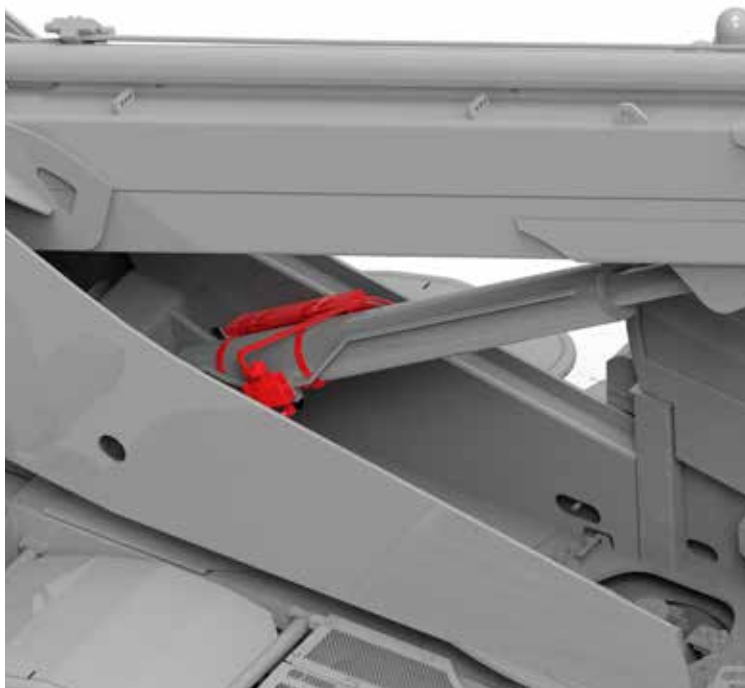
**RTH - HTH - TH**





## **BOOM SUSPENSION**

*OPT-01-001*



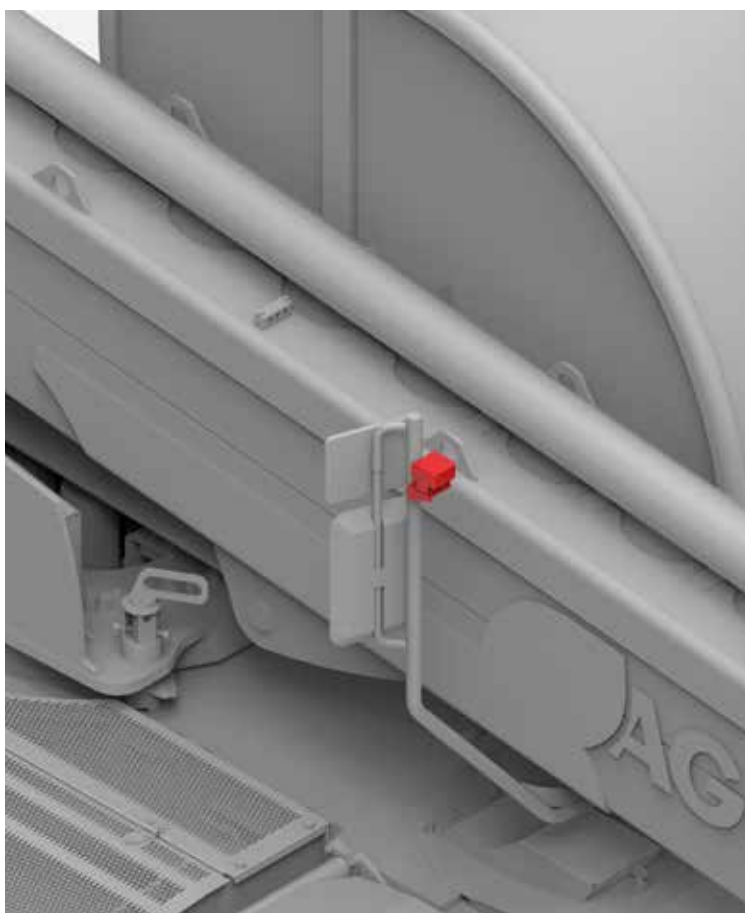
Option for users who need to drive the machine over rough terrain while carrying material on forks. It helps improve overall driving comfort by absorbing and significantly reducing vibrations caused by rough and uneven ground, reducing spillages and making for a generally smoother ride.

**Existing kit**

**RTH - HTH - TH**

## **No.1 CAMERA ON RIGHT HAND SIDE**

*OPT-01-004*



Video camera installed on the right hand side of the machine to increase visibility and thereby safety when manoeuvring. Thanks to the monitor in the cab it is possible to check any blind spot. Wireless colour video camera with microphone and audio.

**Existing kit**

**RTH - HTH**



## **No.1 WIRELESS CAMERA ON THE REAR**

---

*OPT-01-005*

Video camera installed on the rear of the machine to increase visibility and thereby safety when manoeuvring. Thanks to the monitor in the cab it is possible to check any blind spot. Wireless colour video camera with microphone and audio. Included also in the kit one monitor with support and 2 magnetic antennas 3 d(B).

**Existing kit**

**RTH - HTH - TH 6.20**

## **No.1 WIRED CAMERA ON THE REAR**

---

*OPT-01-020 (TH 5,5.15/TH 5,5.19/TH 6.10)*

*OPT-01-021 (TH 5.8 / THU 5.8)*

Video camera installed on the rear of the machine to increase visibility and thereby safety when manoeuvring. Thanks to the monitor in the cab it is possible to check any blind spot.

**Existing kit**

**TH**

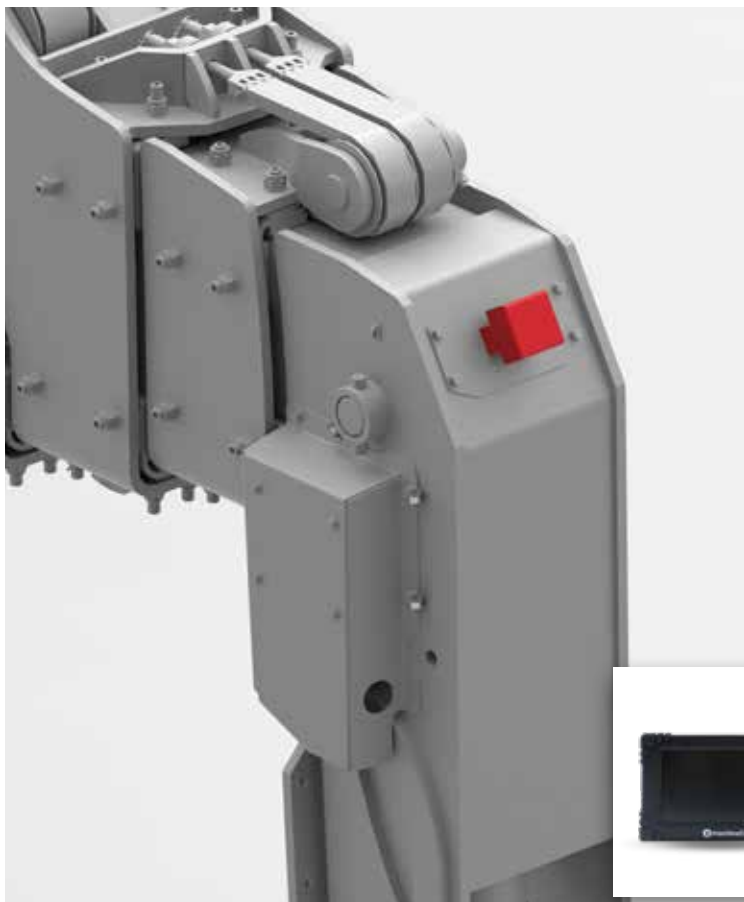




## No.2 CAMERAS (FRONT + REAR WIRELESS + MONITOR IN THE CAB)

OPT-01-006

Option composed of two wireless video cameras installed on the top of the boom and on the rear of the machine to increase visibility and thereby safety when manoeuvring, as the area can be viewed on the monitor in the cab. Wireless colour video camera with microphone and audio. Included also in the kit one monitor with support and 3 magnetic antennas (2 at 3 d(B) and 1 at 5 d(B)).



**Existing kit**

**RTH - HTH - TH 6.20/5.24**



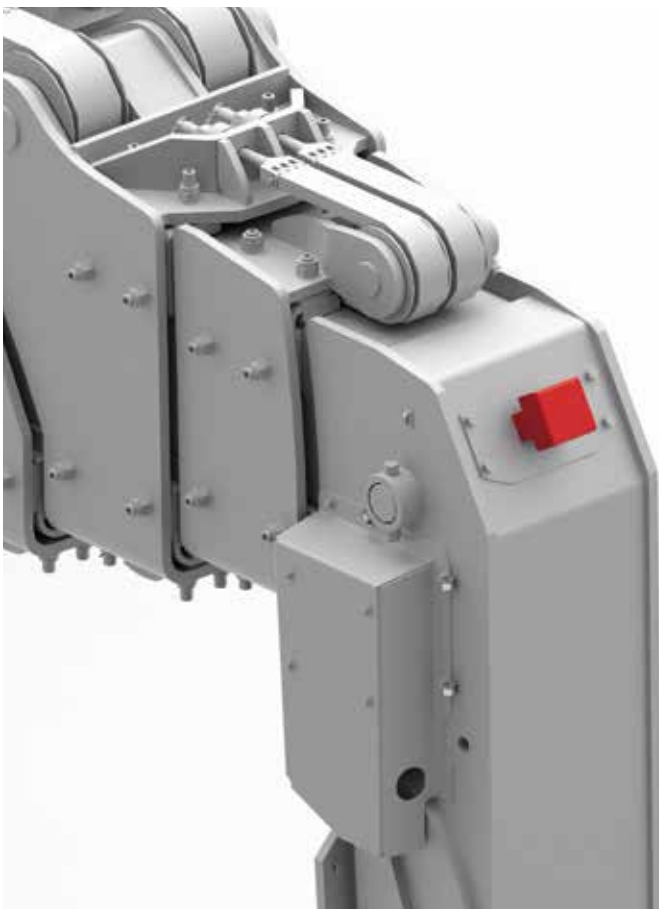
**No.3 CAMERAS (2 FRONT + 1 REAR WIRELESS + MONITOR IN THE CAB)**

*OPT-01-007*

Option composed of three wireless video cameras, one installed in the top of the boom, one the right hand side and the last one on the rear of the machine to increase visibility and thereby safety when manoeuvring. Thanks to the monitor in the cab it is possible to check any blind spot. Wireless colour video camera with microphone and audio. Included also in the kit one monitor with support and 4 magnetic antennas (2 at 3 d(B) and 2 at 5 d(B)).

**Existing kit**

**RTH - HTH - TH 6.20/5.24**





## No. 4 CAMERAS 360° VIEW

*OPT-01-008*

This is an intelligent camera monitor system designed to assist low-speed manoeuvring by providing the driver with a complete surround view of the vehicle in real time.

It offers a 360° view technology, thanks to four ultra wide-angle cameras. Each camera covers one full side of the vehicle with a viewing angle of over 180°. Mounted on the top of the boom, on both sides and on the rear of the machine, the calibrated cameras capture the whole surrounding area including the blind spots of the vehicle.



**Existing kit**

**HTH - TH 6.20/5.24**

## No. 4 CAMERAS

*OPT-01-018*

Kit composed of n.4 ball cameras with extremely robust case in polycarbonate for hard-to-reach areas outside the vehicle. Alignable on all sides.

Camera images are displayed on the touch screen monitor in the cab, dividing the video into four equal sections.

### **Equipment details:**

1/4" CCD - Video format PAL - Viewing angle 150°(D) - 600 TV lines - 0,01 Lux (0 Lux by IR LED on) - Operating temperature range - 22° F ~ 158 °F - Power supply 12 VDC (±10%) Connector MiniDIN  
Dimensions 3.3' x 3' x 3.8'

Weight 0.33 lbs

### **Certi icate:**

E-mark - IP69K - ECE 118



**Existing kit**

**RTH**







## AIR SUSPENDED SEAT

---

*OPT-01-009*

The air suspension seat absorbs the majority of the machine's dynamic oscillations during movement, making driving more comfortable.

**Existing kit**

**RTH - HTH - TH**



## TILTING SEAT

---

*OPT-01-010*

Option which allows the seat to recline in order to obtain a perfect view of the load with the boom elevated so that the operator is not required to adopt unergonomic positions while working.

**Existing kit**

**RTH - HTH - TH**





## SEAT HEADREST

---

*OPT-01-011*

Option that increases seat comfort to provide the operator with an exceptional driving experience.



**Existing kit**

**RTH - HTH - TH**

## HEATED SEAT 24V

---

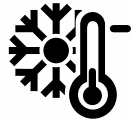
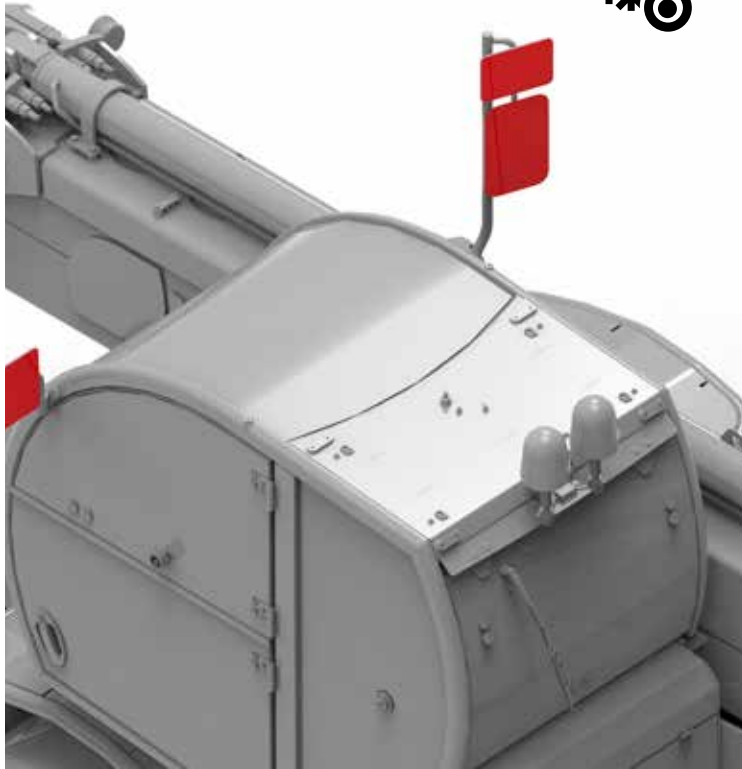
*OPT-01-012*

Option that increases seat comfort and user well-being on cold days. The seat is equipped with a 24V heating system. The heat is gradually reduced automatically, and when the lowest level is reached, the seat heating system is switched off automatically. It is also possible to disable the system manually at any time.



**Existing kit**

**RTH - HTH - TH**



## HEATED REAR VIEW MIRRORS (ALL) 24V

---

*OPT-01-013*

Option which ensures full and complete mirror de-icing via a 24V internal heating circuit. Perfect for the most extreme and prolonged cold conditions.

**Existing kit**

**RTH - HTH - TH**



## ROLL-UP SUNBLIND

---

*OPT-01-014*

Option consisting of roll-up sunblind which protect the cab from UV rays and make the operator's work more comfortable, and above all safer. Manually operated, without guide rods and pull rod stopping with hooks.

**Existing kit**

**RTH - HTH - TH**



## RADIO DAB

---

*OPT-01-015*

The digital radio expands the features of the vehicle radio by incorporating a Digital Receiver which receives DAB and DAB+ terrestrial radio broadcasts. The advantages of digital radio include an enormous range of channels and impressive sound quality. As digital broadcasts are not yet available in all areas, DAB reception will automatically switch between digital and analogue reception depending on the signal strength. Integrated Bluetooth connection.

**Existing kit**

**RTH - HTH - TH**



## AIR SUSPENDED SEAT WITH HEATING 24V

---

*OPT-01-019*

The air suspension seat absorbs the majority of the machine's dynamic oscillations during movement, making driving more comfortable. Option that increases seat comfort and user well-being on cold days. The seat is equipped with a 24V heating system. The heat is gradually reduced automatically, and when the lowest level is reached, the seat heating system is switched off automatically. It is also possible to disable the system manually at any time.

**Existing kit**

**RTH - HTH - TH**



## 12" DISPLAY

---

*OPT-01-016*

High-resolution XL (12 inch) touchscreen which facilitates use of the driving screens and load charts in the cab.

**Existing kit**

**RTH - HTH**

## AIR CONDITIONING

---

*OPT-01-017 (RTH 4.18)*

*OPT-01-022 (TH 55kW)*

The air conditioning option helps to automatically create a climate of constant well-being in the passenger compartment, even in the event of direct sunlight or very high or very low external temperatures. For this purpose the temperature, the intensity of the ventilation and the air distribution are regulated by sensors according to the presettings and continuously adapted to the current conditions. Integrated dehumidification effectively prevents fogging of the crystals.

**Existing kit**

**RTH 4.18 - TH**



		RTH 4.18	RTH 5.18	RTH 5.21	RTH 5.23	RTH 5.25	RTH 6.21	RTH 6.23	RTH 6.25	RTH 6.30	RTH 6.35	RTH 6.39	RTH 6.46	RTH 6.51	RTH 7.26	RTH 8.25	RTH 13.26
<b>OPT-01-001</b>	Boom suspension	•	•	•	•	•	•	•	•	•	•	•	•	•	•	•	•
<b>OPT-01-002</b>	Additional heater 24V (Eberspächer)	•	•	•	•	•	•	•	•	•	•	•	•	•	•	•	•
<b>OPT-01-003</b>	Remote control for additional heater 24V (Eberspächer)	•	•	•	•	•	•	•	•	•	•	•	•	•	•	•	•
<b>OPT-01-004</b>	No.1 Camera on right hand side	•	•	•	•	•	•	•	•	•	•	•	•	•	•	•	•
<b>OPT-01-005</b>	No.1 wireless camera on the rear	•	•	•	•	•	•	•	•	•	•	•	•	•	•	•	•
<b>OPT-01-006</b>	No.2 Cameras (front + rear wireless + monitor in the cab)	•	•	•	•	•	•	•	•	•	•	•	•	•	•	•	•
<b>OPT-01-007</b>	No.3 Cameras (2 front + 1 rear wireless + monitor in the cab)	•	•	•	•	•	•	•	•	•	•	•	•	•	•	•	•
<b>OPT-01-008</b>	No. 4 Cameras 360° view	-	-	-	-	-	-	-	-	-	-	-	-	-	-	-	-
<b>OPT-01-009</b>	Air suspended seat	•	•	•	•	•	•	•	•	•	•	•	•	•	•	•	•
<b>OPT-01-010</b>	Tilting seat	•	•	•	•	•	•	•	•	•	•	•	•	•	•	•	•
<b>OPT-01-011</b>	Seat headrest	•	•	•	•	•	•	•	•	•	•	•	•	•	•	•	•
<b>OPT-01-012</b>	Heated seat 24V	•	•	•	•	•	•	•	•	•	•	•	•	•	•	•	•
<b>OPT-01-013</b>	Heated rear view mirrors (all) 24V	•	•	•	•	•	•	•	•	•	•	•	•	•	•	•	•
<b>OPT-01-014</b>	Roll-up sunblind	•	•	•	•	•	•	•	•	•	•	•	•	•	•	•	•
<b>OPT-01-015</b>	Radio DAB	•	•	•	•	•	•	•	•	•	•	•	•	•	•	•	•
<b>OPT-01-016</b>	12" display	•	•	•	•	•	✓	✓	✓	✓	✓	✓	✓	✓	✓	✓	✓
<b>OPT-01-017</b>	Air conditioning for RTH 4.18	•	✓	✓	✓	✓	✓	✓	✓	✓	✓	✓	✓	✓	✓	✓	✓
<b>OPT-01-018</b>	No.4 cameras	•	•	•	•	•	•	•	•	•	•	•	•	•	•	•	•
<b>OPT-01-019</b>	Air suspended seat with heating 24V	•	•	•	•	•	•	•	•	•	•	•	•	•	•	•	•
<b>OPT-01-020</b>	No. 1 Camera on right hand side (TH 5.5.15/TH 5.5.19/TH 6.10)	-	-	-	-	-	-	-	-	-	-	-	-	-	-	-	-
<b>OPT-01-021</b>	No. 1 Camera on right hand side (TH 5.8 / TH 5.8)	-	-	-	-	-	-	-	-	-	-	-	-	-	-	-	-
<b>OPT-01-022</b>	Air conditioning for TH 55kW	-	-	-	-	-	-	-	-	-	-	-	-	-	-	-	-



# CARE & COMFORT

HTH 10.10	HTH 16.10	HTH 20.10	HTH 24.11	HTH 27.11	HTH 30.12	HTH 35.12	HTH 50.14	TH 5.8	TH 5.8 P	THU 5.8	TH 6.10	TH 6.10 P	TH 5.5.15	TH 5.5.15 P	TH 5.5.19	TH 5.5.19 P	TH 6.20	TH 5.5.24
•	•	•	•	•	•	•	•	•	•	•	•	•	•	•	•	•	•	•
•	•	•	•	•	•	•	•	•	•	•	•	•	•	•	•	•	•	•
•	•	•	•	•	•	•	•	•	•	•	•	•	•	•	•	•	•	•
•	•	•	•	•	•	•	•	-	-	-	-	-	-	-	-	-	•	•
•	•	•	•	•	•	•	•	-	-	-	-	-	-	-	-	-	•	•
•	•	•	•	•	•	•	•	-	-	-	-	-	-	-	-	-	•	•
•	•	•	•	•	•	•	•	-	-	-	-	-	-	-	-	-	•	•
•	•	•	•	•	•	•	•	•	•	•	•	•	•	•	•	•	•	•
•	•	•	•	•	•	•	•	•	•	•	•	•	•	•	•	•	•	•
•	•	•	•	•	•	•	•	•	•	•	•	•	•	•	•	•	•	•
•	•	•	•	•	•	•	•	•	•	•	•	•	•	•	•	•	•	•
•	•	•	•	•	•	•	•	•	•	•	•	•	•	•	•	•	•	•
•	•	•	•	•	•	•	•	•	•	•	•	•	•	•	•	•	•	•
•	•	•	•	•	•	•	•	•	•	•	•	•	•	•	•	•	•	•
•	•	•	•	•	•	•	•	•	•	•	•	•	•	•	•	•	•	•
•	•	•	•	•	•	•	•	•	•	•	•	•	•	•	•	•	•	•
•	•	•	•	•	•	•	•	-	-	-	-	-	-	-	-	-	-	-
✓	✓	✓	✓	✓	✓	✓	✓	-	✓	-	-	✓	-	✓	-	✓	✓	✓
-	-	-	-	-	-	-	-	-	-	-	-	-	-	-	-	-	-	-
•	•	•	•	•	•	•	•	•	•	•	•	•	•	•	•	•	•	•
-	-	-	-	-	-	-	-	-	-	-	•	•	•	•	•	•	-	-
-	-	-	-	-	-	-	-	•	•	•	-	-	-	-	-	-	-	-
-	-	-	-	-	-	-	-	•	✓	-	•	✓	•	✓	•	✓	✓	✓







---

## PERFORMANCE & WORKING EXPERIENCE

Everything revolves around excellent performances that make using a **Magni** a unique experience. An experience where the operator is the center, who will be able to do his best during working hours.





## AUTOMATIC GREASING SYSTEM

---

*OPT-02-018 (TH - HTH)*

*OPT-02-038 (RTH)*

Timed automatic lubrication system which greases the machine's swivel pins to streamline scheduled maintenance and extend working hours. This kit is composed by: high-pressure lubrication pump (with operating temperature down to  $-16.6^{\circ}\text{F}$ ), distributor and monitor. In the system, the ECU LCD-based monitor controls the high-pressure grease pump, which operates cyclically. During operation, the reducer motor drives the eccentric wheel to reciprocate the plunger pair for grease pumping. After the pressurized grease enters into the supply line, the grease is supplied to lube points via the distributor metering chamber.

**Existing kit**

### RTH - TH - HTH

*Not available for TH 5.8.*

## PLUG AT BOOM HEAD

---

*OPT-02-039 (110 V)*

Extension cable provision for connection of components on the end of the boom.



**Existing kit**

### RTH - HTH - TH

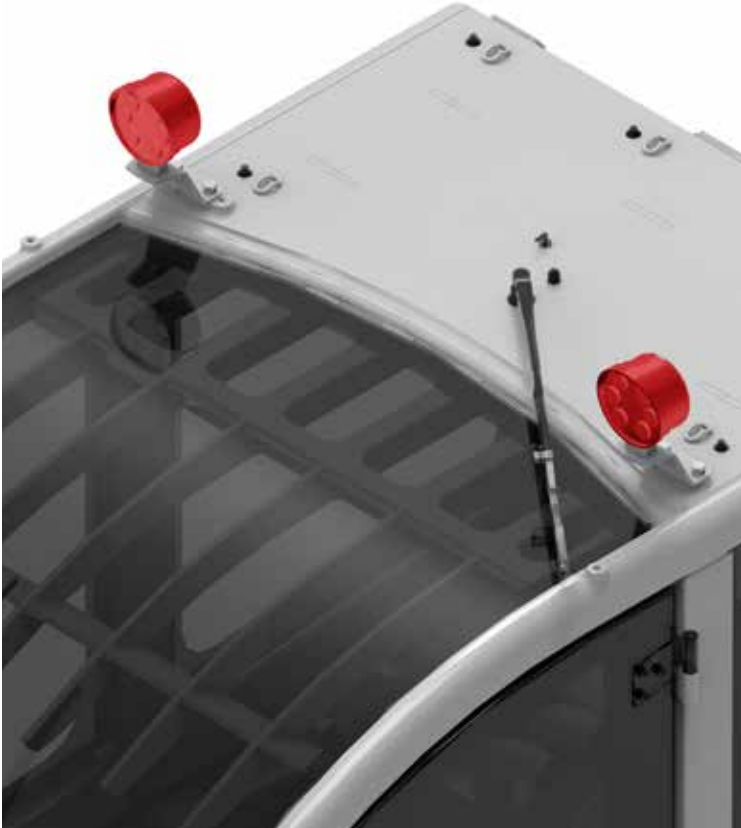


## LED LIGHTS ON TOP OF THE CAB FRONT

---

*OPT-02-003*

Option composed of two led work lights installed on the upper front-end of the machine which increase the light coverage and output to allow work in dark or poorly lit areas. The operator must always ensure that manoeuvres are performed in a safe environment even though they have more light available.



**Existing kit**

**RTH - HTH - TH**

## LED LIGHTS ON TOP OF THE CAB REAR

---

*OPT-02-004*

Option composed of two led work lights installed on the upper rear-end of the machine which increase the light coverage to allow work in dark or poorly lit areas. The operator must always ensure that manoeuvres are performed in a safe environment even though they have more light available.



**Existing kit**

**RTH - HTH - TH**



## LED LIGHTS ON THE BOTTOM OF THE CAB FRONT

---

*OPT-02-005*

Option composed of two led work lights installed on the lower front-end of the machine which increase the light coverage to allow work in dark or poorly lit areas. The operator must always ensure that manoeuvres are performed in a safe environment even though they have more light available.

**Existing kit**  
**RTH**



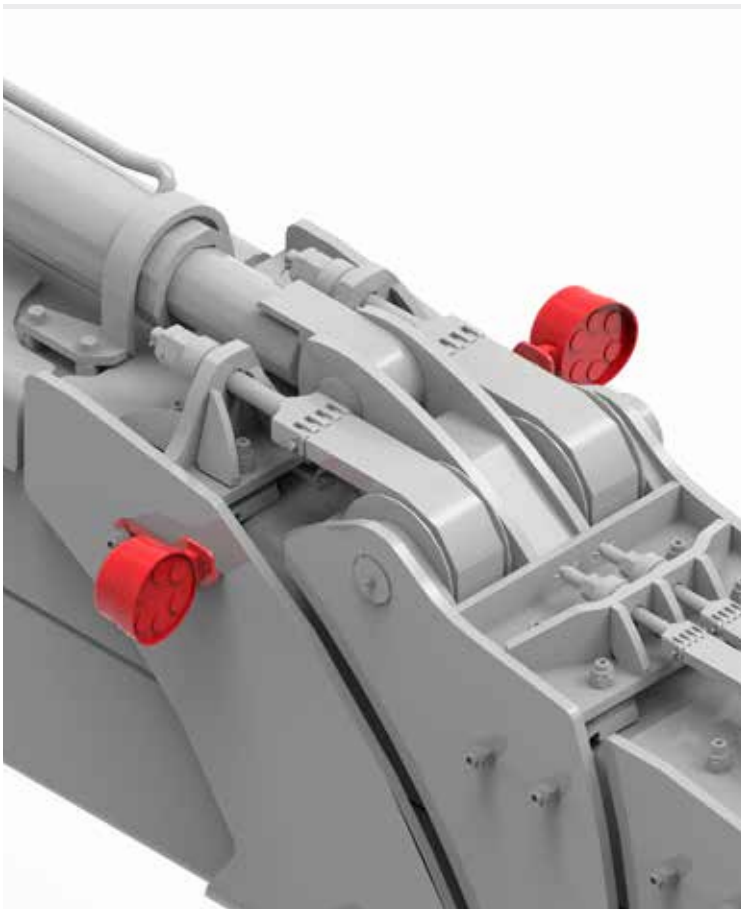
## FRONT - REAR LED HEADLAMPS

---

*OPT-02-006*

Option composed of four led headlights which increase the light output by 20% both for road use and site operation.

**Existing kit**  
**RTH - HTH - TH**



## LED LIGHTS ON THE BOOM

*OPT-02-007*

Option composed of two led work lights installed on the boom which increase the light coverage and output to allow work in dark or poorly lit areas.

**Existing kit**

**RTH - HTH - TH**



## STANDARD REMOTE CONTROL

*OPT-02-008*

*OPT-02-034 (with a consent button)*

Remote control allowing use of all boom functions from the ground, thus increasing the safety of the operators. The remote control uses the Bluetooth system and can be used all over the world without particular restrictions.

For Australia, Japan and Korea the remote control is equipped with a consent button on the joystick (**OPT-02-034**).

**Existing kit**

**RTH - HTH - TH**

## REMOTE CONTROL WITH DISPLAY

### OPT-02-009

Remote control with display allowing to perform all boom functions from the ground, as with the standard remote control. Moreover, it allows to visualize the main machine parameters and confirm attachment coupling without having to enter the cab. It is ideal to increase productivity and efficiency. If the machine is equipped with Pre arrangement for remote drive (**OPT-02-012**), this remote control allows to stabilise and drive the telehandler remotely. In countries where regulations require it, the remote control with screen and consent button (**OPT-02-010**) will be needed.



#### Operations with the remote:

- machine start/stop
- turret rotation
- boom out/in
- boom up/down
- hare/turtle mode
- emergency pump
- increase/decrease RPM
- emergency stop
- control for valves at boom head
- boom out mode M1 and M2 (only RHT6.46)
- remote drive
- Stabilizers up/down (automatic stabilizing and levelling)
- machine movement forward/backward
- machine movement left/right
- 6 programmable keys for additional functions

#### Existing kit

### RTH - TH - HTH

#### Information available on the remote:

- remote control battery level
- indicator for machine pairing
- Indicator for % of anti tilting system
- indicator of activation of the valve at the boom's head
- attachment confirmation from remote
- machine status (alarms/engine etc. same as page 1 on display)
- info on load status (boom position, angle, maximum load, actual load)





## REMOTE CONTROL FOR TREE CUTTING WITH DISPLAY

OPT-02-011

OPT-02-040 (with consent button)

Remote control equipped with a practical color display which shows all boom geometric data to the user on the ground, increasing operator's safety. In addition to the remote control with display, you will be able to perform all the functions of the tree cutting attachment (ATT-08-001). The attachment is not included in the code. You will also be able to visualize the machine's main parameters and confirm the attachment pairing without having to enter the cab. If the machine is equipped with the Pre arrangement for Remote drive (OPT-02-012), this remote control will allow to stabilize and drive the telehandler remotely. In countries where the regulations require it, the Remote Control for tree cutting with display and consent button (OPT-02-040) will be needed.



### Existing kit

## RTH

#### Operations with the remote:

- machine start/stop
- turret rotation
- boom out/in
- boom up/down
- hare/turtle mode
- emergency pump
- increase/decrease RPM
- emergency stop
- control for valves at boom head
- boom out mode M1 and M2 (only RHT6.46)
- remote drive
- Stabilizers up/down (automatic stabilizing and levelling)
- machine movement forward/backward
- machine movement left/right
- 6 programmable keys for additional functions
- dedicated joystick for tree cutting
- grab rotation (vertical axis)
- close/open grab
- saw on/off operation

#### Information available on the remote:

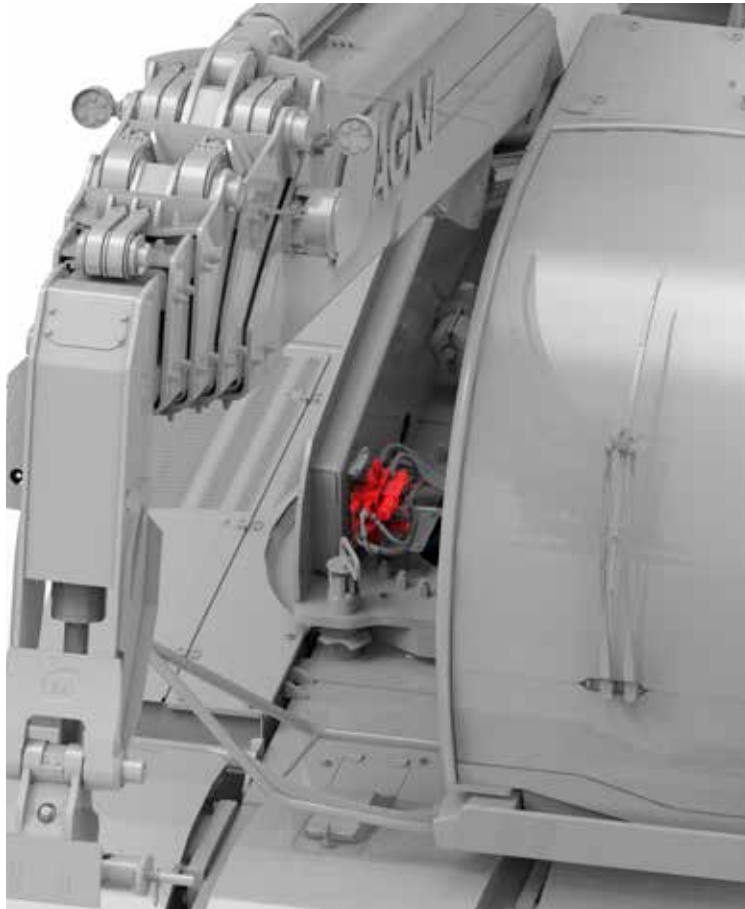
- remote control battery level
- indicator for machine pairing
- Indicator for % of anti tilting system
- indicator of activation of the valve at the boom's head
- attachment confirmation from remote
- machine status (alarms/engine etc. same as page 1 on display)
- info on load status (boom position, angle, maximum load, actual load)












## PRE ARRANGEMENT FOR REMOTE DRIVE

---

*OPT-02-012*

The option allows to drive the machine remotely and manage the stabilisers. It is ideal to increase productivity and efficiency. Remote control **not** included in the code.

 **OPT-02-009** or **OPT-02-010** or **OPT-02-011** or **OPT-02-040**  
MANDATORY

**Existing kit**  
**RTH - TH**

## PRE ARRANGEMENT FOR PLATFORMS

---

*OPT-02-035 (TH 5.8/TH5.8 P/THU 5.8)*  
*OPT-02-037 (TH 6.10 / TH 6.10 P)*

Predisposition for installing platforms on the machine.



**Existing kit**  
**TH**



## QUICK BOOM IN/OUT

*OPT-02-024*

Optional which increases boom extension and retraction speed when unladen.

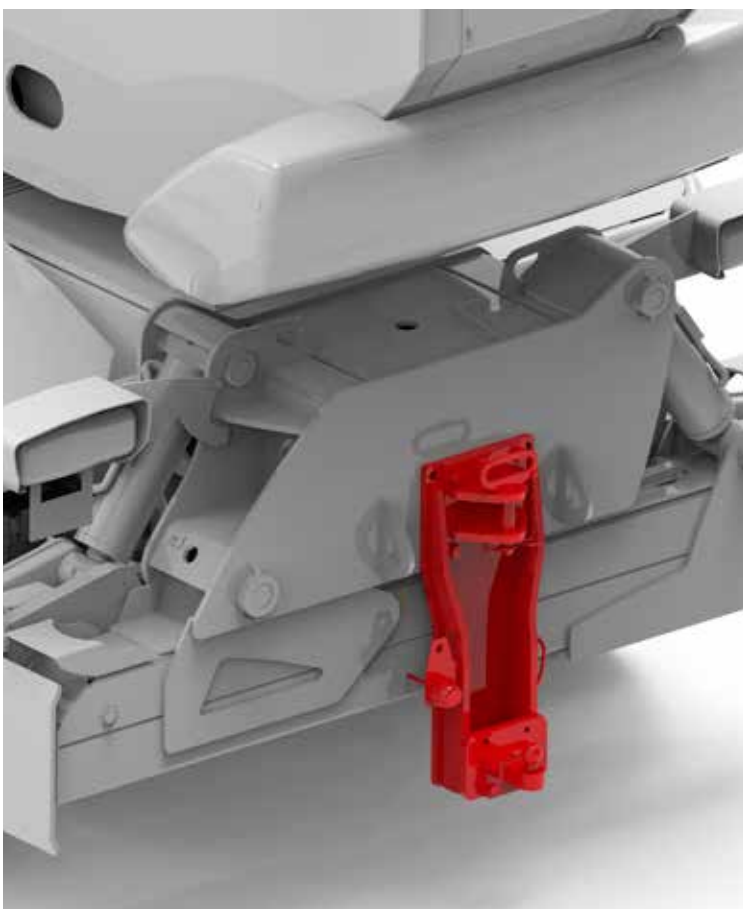


**Existing kit**  
**RTH**

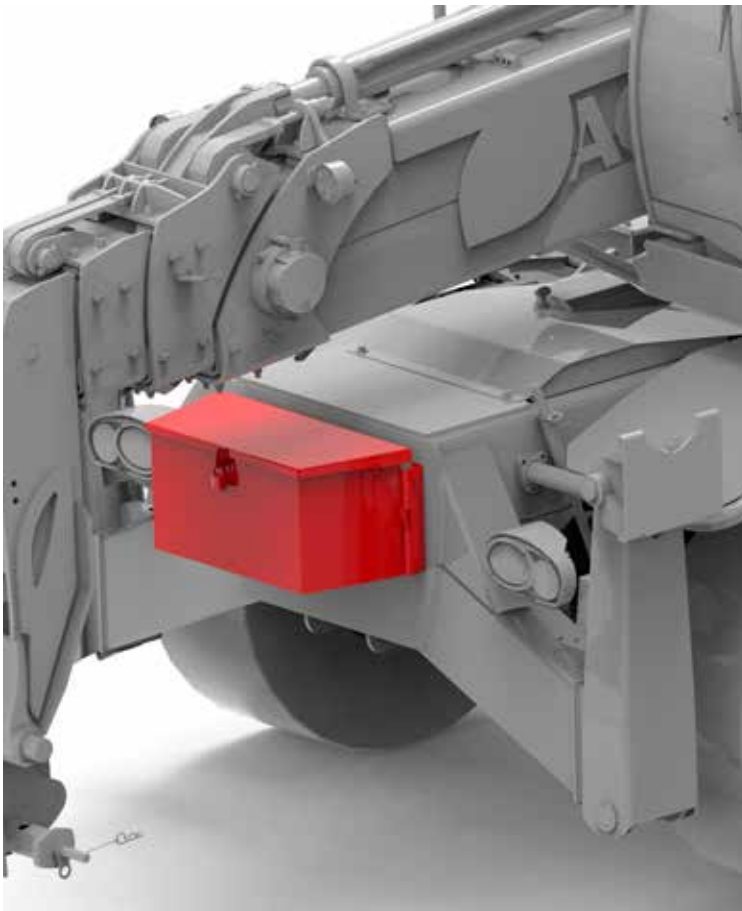
## COMPLETE TOWING HOOK

*OPT-02-015*

Complete tow hook which allows coupling of trailers via ball hitch.



**Existing kit**  
**RTH**



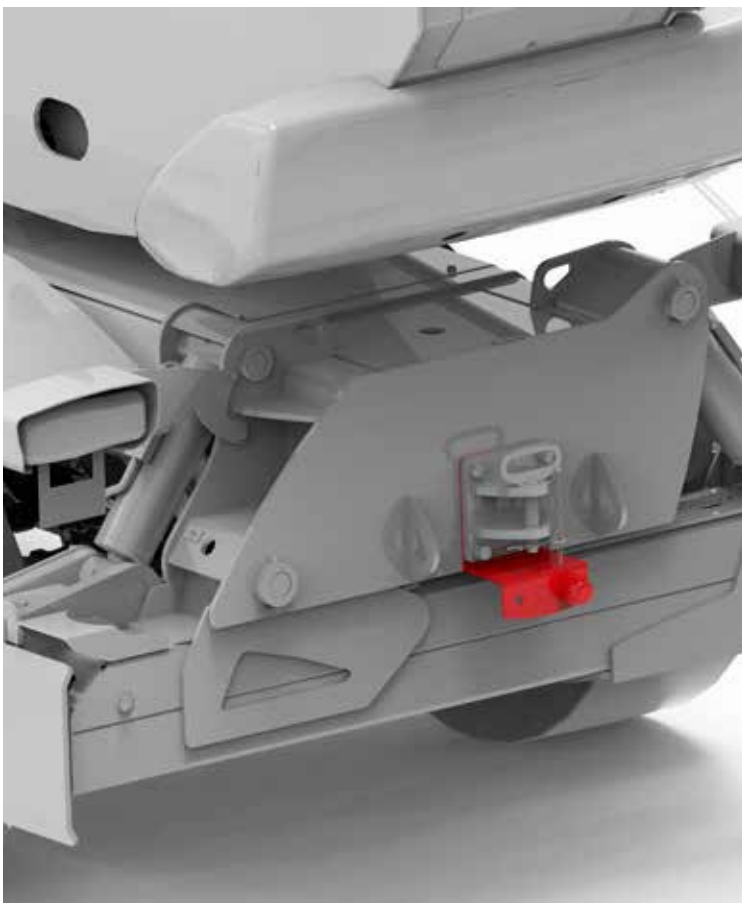
## COMPLETE TOOL BOX

---

*OPT-02-013*

Practical tool compartment specifically for storing tools.

**Existing kit**  
**RTH - TH**



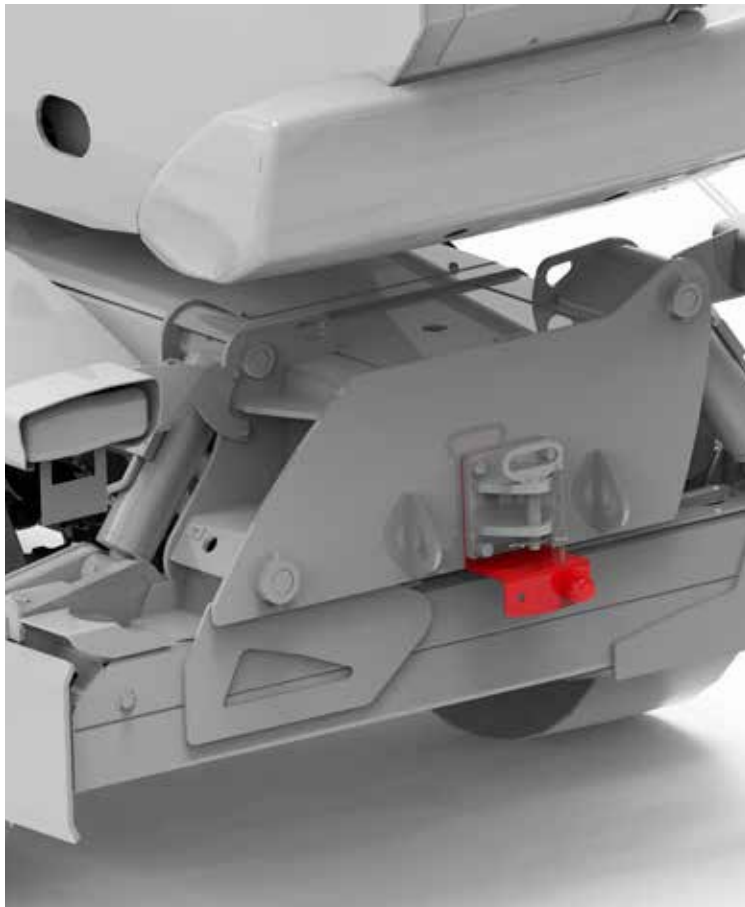
## REAR ELECTRIC PLUG 24V FOR TRAILER [7 PINS]

---

*OPT-02-016*

Trailer electrical socket 24V - 7-pins socket to duplicate rear lights.

**Existing kit**  
**RTH**



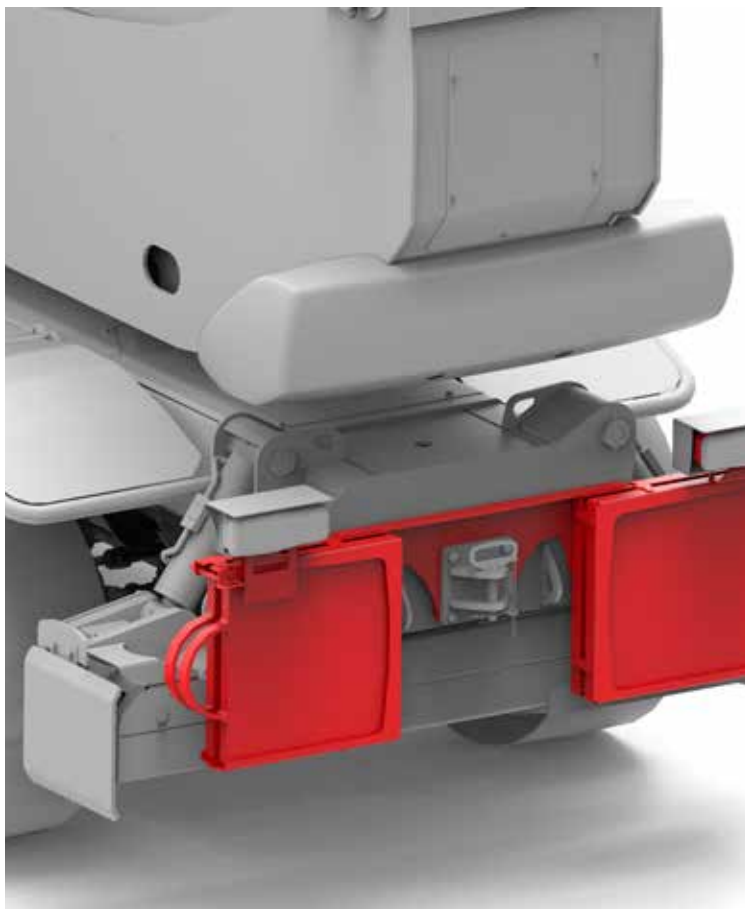
## REAR ELECTRIC PLUG 24V FOR TRAILER [13 PINS]

---

OPT-02-017

Trailer electrical socket 24V - 13-pins socket to duplicate rear lights.

**Existing kit**  
**RTH**



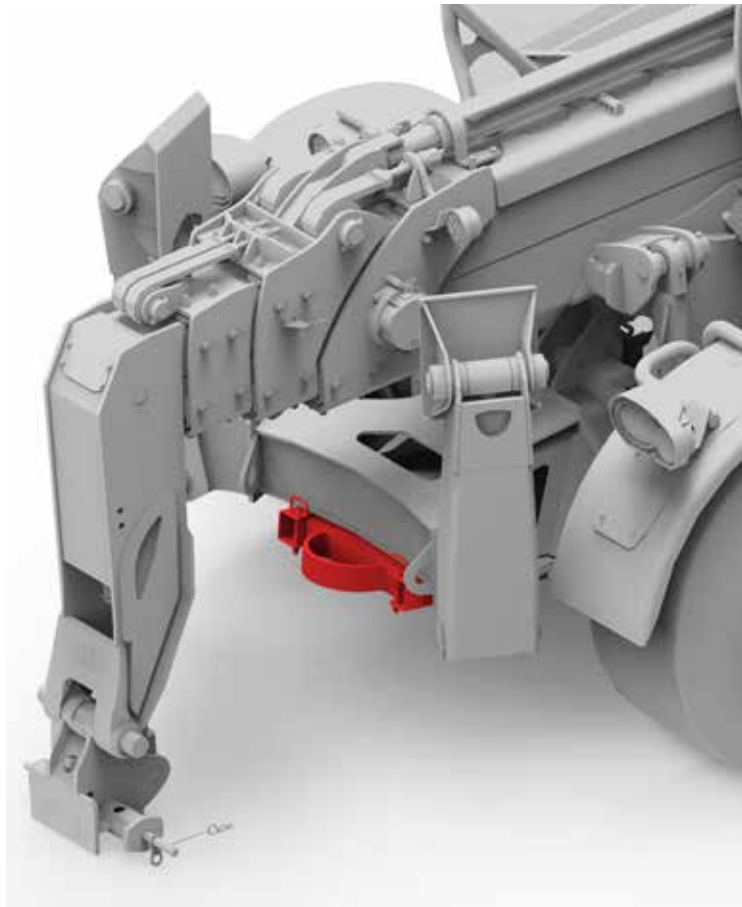
## HOLDERS FOR STABILISERS PLASTIC PADS (INCLUDING THE PADS) RTH

---

OPT-02-019

Practical metallic support for the stabiliser support bases to rest on pads included.

**Existing kit**  
**RTH**



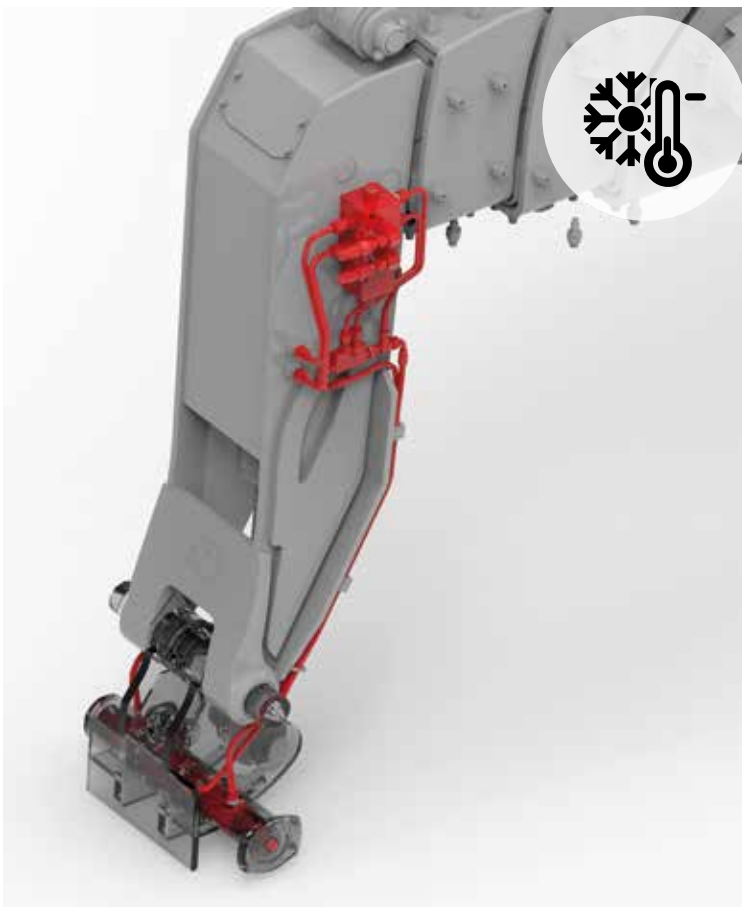
## HOLDERS FOR STABILISERS PLASTIC PADS (INCLUDING THE PADS) TH

---

*OPT-02-032*

Practical metallic support for the stabiliser support bases to rest on pads included.

**Existing kit**  
**TH**



## HYDRAULIC LOCK FOR ATTACHMENTS

---

*OPT-02-020*

Option for quick coupling and release of the various attachments via a hydraulic ram while sitting in the cab. Perfect for countries with very cold climates.

**Existing kit**  
**RTH - HTH - TH**

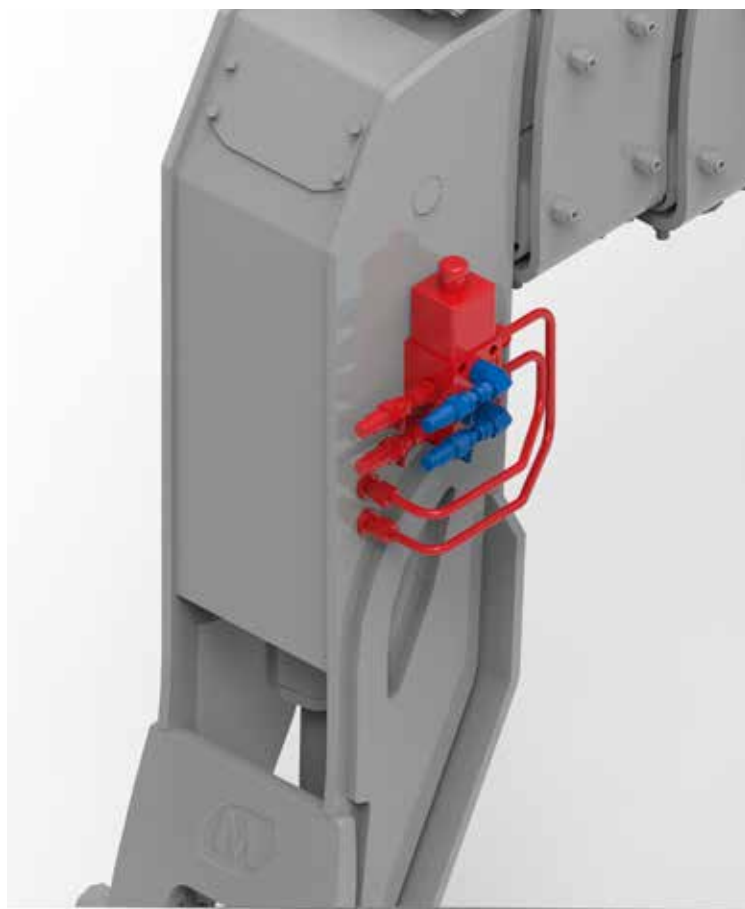


## HYDRAULIC BLOCK FOR TURRET ROTATION

OPT-02-021

Practical option for locking/releasing the turret via a hydraulic ram while sitting in the cab. Perfect for countries with very cold climates.

**Existing kit**  
**RTH**



## DOUBLE HYDRAULIC OUTPUT AT THE BOOM HEAD

OPT-02-022

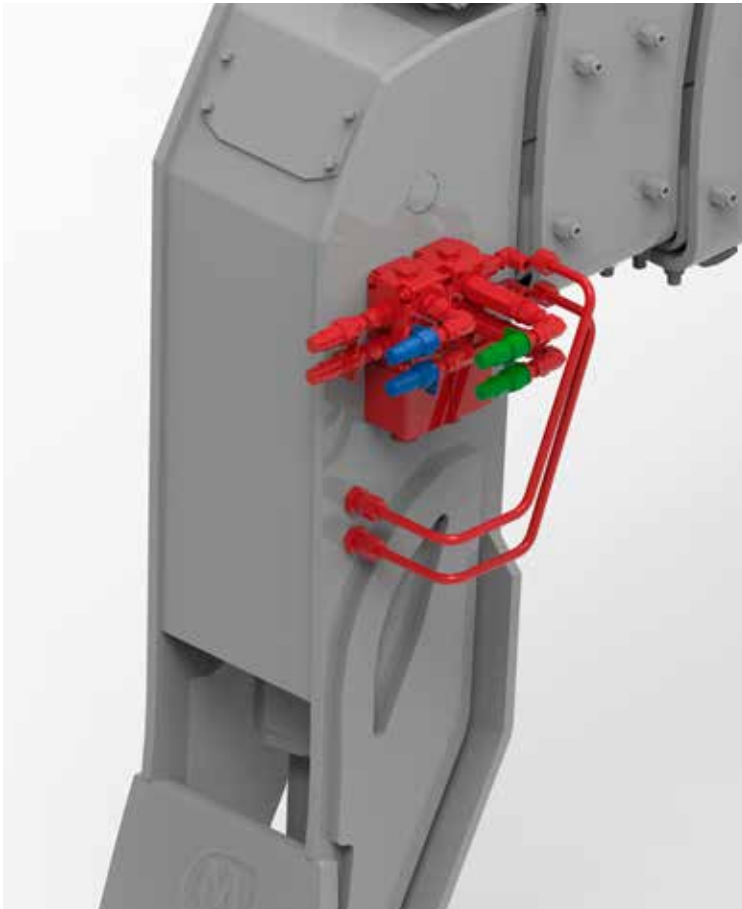
Option which provides a second auxiliary hydraulic function on the head of the boom. Management is performed by a diverter on the boom head which can be activated electrically by the operator.

**Existing kit**  
**RTH - HTH - TH**

## TRIPLE HYDRAULIC OUTPUT AT THE BOOM HEAD

*OPT-02-023*

Option which provides a third auxiliary hydraulic function on the head of the boom. Management is performed by a diverter on the boom head which can be activated electrically by the operator.



**Existing kit**

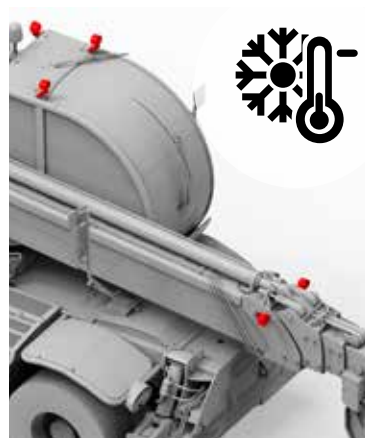
**RTH - HTH - TH**

## COLD CLIMATES PACKAGE

*OPT-02-014*

Option consisting of:

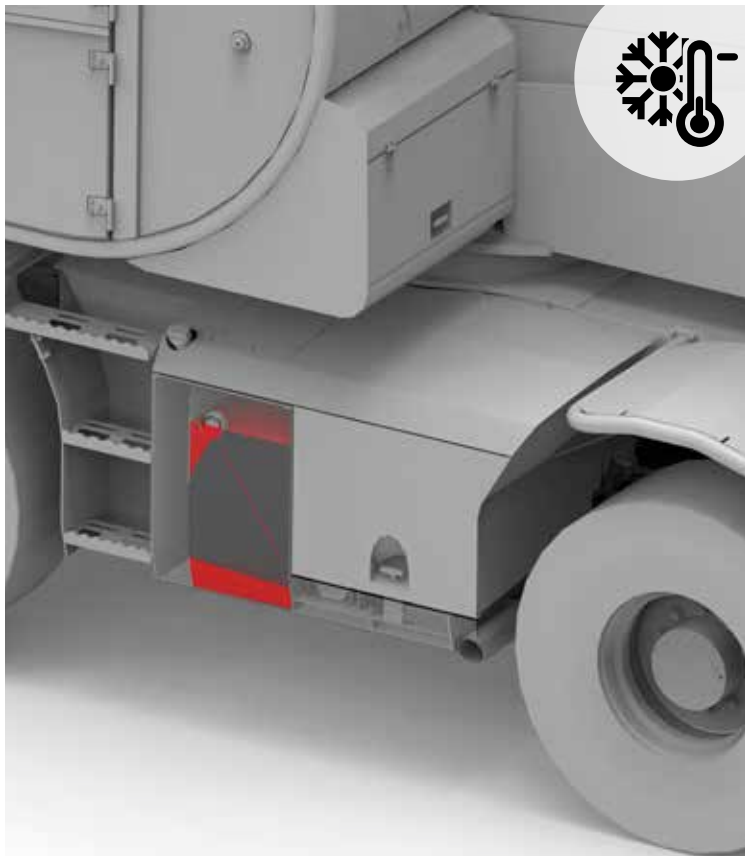
- heater for engine coolant 230V  
OPT-02-027
- hydraulic oil for cold climate  
OPT-02-025
- led lights on top of the cab front  
OPT-02-003
- led lights on top of the cab rear  
OPT-02-004
- led lights on the boom  
OPT-02-007
- external battery cut-off  
OPT-03-003
- 110/220 V plug in the cabin



**Existing kit**

**RTH - HTH - TH**





## HYDRAULIC OIL FOR COLD CLIMATE

---

OPT-02-025

Tellus Shell ISO 32 hydraulic oil which provides full performance in very cold climates down to -25.6° F

**Existing kit**

**RTH - HTH - TH**



## BIO HYDRAULIC OIL

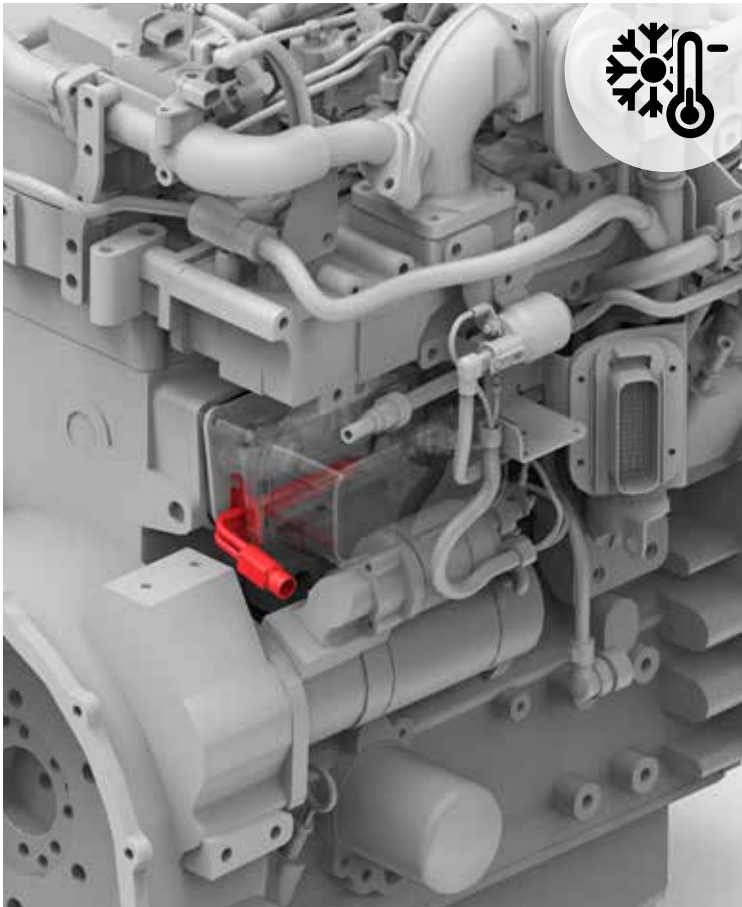
---

OPT-02-026

High-performance EAL, completely synthetic and zinc free for hydraulic systems. Saturated synthetic ester base. Allows for «lifetime filling» extended oil change intervals, without deposits.

**Existing kit**

**RTH - HTH - TH**



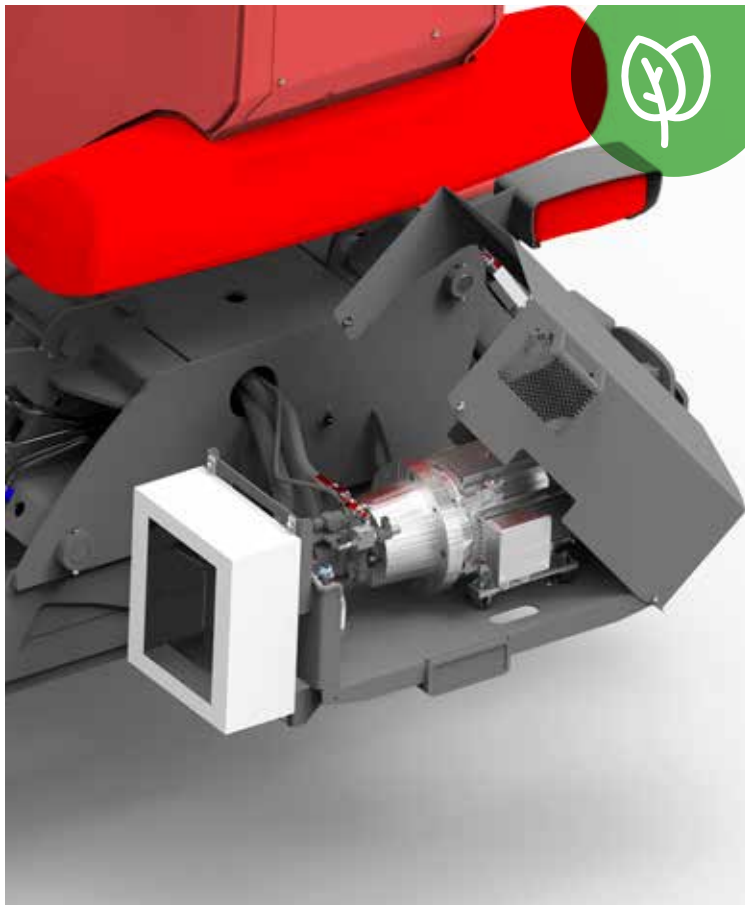
## HEATER FOR ENGINE COOLANT

*OPT-02-027 (230V)*  
*OPT-02-033 (110V)*

Option consisting of an electric engine coolant pre-heating element, perfect for countries with cold climates.

**Existing kit**  
**RTH - HTH - TH**





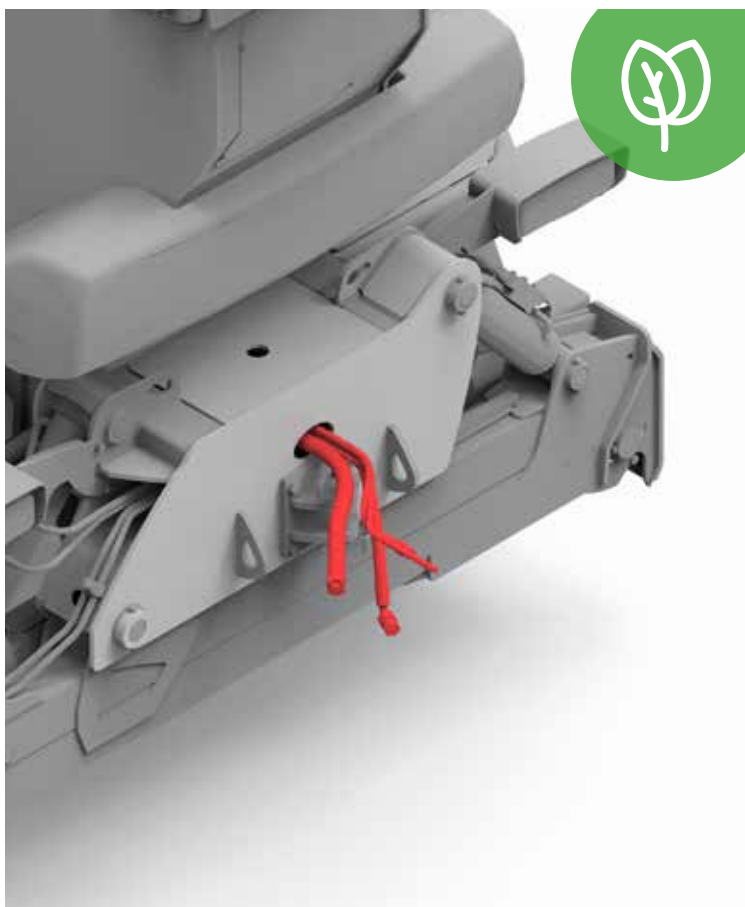
## TWIN POWER 400V

OPT-02-036

This option allows the machine to be used without starting the diesel engine. By connecting to an external electricity supply (380 V), it is possible to power the machine and perform all normal lifting and load positioning operations. A 15 kW electric motor and a 90 litre piston pump guarantee performance and precision for each and every movement. Pre-arrangement OPT-02-031 included in this option.

 **OPT-02-031** MANDATORY

**Existing kit**  
**RTH**



## PRE ARRANGEMENT FOR TWIN POWER 400 V

OPT-02-031

Option required for Twin power installation.

**Existing kit**  
**RTH**

		RTH 4.18	RTH 5.18	RTH 5.21	RTH 5.23	RTH 5.25	RTH 6.21	RTH 6.23	RTH 6.25	RTH 6.30	RTH 6.35	RTH 6.39	RTH 6.46	RTH 6.51	RTH 7.26	RTH 8.25	RTH 13.26
<b>OPT - 02 - 003</b>	LED lights on top of the cab front	●	●	●	●	●	●	●	●	●	●	●	●	●	●	●	●
<b>OPT - 02 - 004</b>	LED lights on top of the cab rear	●	●	●	●	●	●	●	●	●	●	●	●	●	●	●	●
<b>OPT - 02 - 005</b>	LED lights on the bottom of the cab front	●	●	●	●	●	●	●	●	●	●	●	●	●	●	●	●
<b>OPT - 02 - 006</b>	Front and rear led headlamps	●	●	●	●	●	●	●	●	●	●	●	●	●	●	●	●
<b>OPT - 02 - 007</b>	LED lights on the boom	●	●	●	●	●	●	●	●	●	●	●	●	●	●	●	●
<b>OPT - 02 - 008</b>	Standard remote control	●	●	●	●	●	●	●	●	●	●	●	●	●	●	●	●
<b>OPT - 02 - 009</b>	Remote control with display	●	●	●	●	●	●	●	●	●	●	●	●	●	●	●	●
<b>OPT - 02 - 010</b>	Remote control with display with a consent button	●	●	●	●	●	●	●	●	●	●	●	●	●	●	●	●
<b>OPT - 02 - 011</b>	Remote control for tree cutting with display	●	●	●	●	●	●	●	●	●	●	●	●	●	●	●	●
<b>OPT - 02 - 012</b>	Remote drive pre-arrangement	●	●	●	●	●	●	●	●	●	●	●	●	●	●	●	●
<b>OPT - 02 - 013</b>	Complete tool box	●	●	●	●	●	●	●	●	●	●	●	●	●	●	●	●
<b>OPT - 02 - 014</b>	Cold climates package	●	●	●	●	●	●	●	●	●	●	●	●	●	●	●	●
<b>OPT - 02 - 015</b>	Complete towing hook	●	●	●	●	●	●	●	●	●	●	●	●	●	●	●	●
<b>OPT - 02 - 016</b>	Rear electric plug 24v for trailer (7 pins)	●	●	●	●	●	●	●	●	●	●	●	●	●	●	●	●
<b>OPT - 02 - 017</b>	Rear electric plug 24v for trailer (13 pins)	●	●	●	●	●	●	●	●	●	●	●	●	●	●	●	●
<b>OPT - 02 - 018</b>	Automatic greasing system	-	-	-	-	-	-	-	-	-	-	-	-	-	-	-	-
<b>OPT - 02 - 019</b>	Holder for stabilizers' plastic pads (including the pads) RTH	●	●	●	●	●	●	●	●	●	●	●	●	●	●	●	●
<b>OPT - 02 - 020</b>	Hydraulic lock for attachments	●	●	●	●	●	●	●	●	●	●	●	●	●	●	●	●



## PERFORMANCE & WORKING EXPERIENCE

HTH 10.10	HTH 16.10	HTH 20.10	HTH 24.11	HTH 27.11	HTH 30.12	HTH 35.12	HTH 50.14	TH 5.8	TH 5.8 P	THU 5.8	TH 6.10	TH 6.10 P	TH 5.5.15	TH 5.5.15 P	TH 5.5.19	TH 5.5.19 P	TH 6.20	TH 5.5.24
●	●	●	●	●	●	●	●	●	●	●	●	●	●	●	●	●	●	●
●	●	●	●	●	●	●	●	●	●	●	●	●	●	●	●	●	●	●
-	-	-	-	-	-	-	-	-	-	-	-	-	-	-	-	-	-	-
●	●	●	●	●	●	●	●	●	●	●	●	●	●	●	●	●	●	●
●	●	●	●	●	●	●	●	●	●	●	●	●	●	●	●	●	●	●
●	●	●	●	●	●	●	●	●	●	●	●	●	●	●	●	●	●	●
●	●	●	●	●	●	●	●	●	●	●	●	●	●	●	●	●	●	●
●	●	●	●	●	●	●	●	●	●	●	●	●	●	●	●	●	●	●
-	-	-	-	-	-	-	-	-	-	-	-	-	-	-	-	-	-	-
-	-	-	-	-	-	-	-	●	●	●	●	●	●	●	●	●	●	●
-	-	-	-	-	-	-	-	-	-	-	●	●	●	●	●	●	●	●
●	●	●	●	●	●	●	●	●	●	●	●	●	●	●	●	●	●	●
●	●	●	●	●	●	●	●	-	-	-	-	-	-	-	-	-	-	-
-	-	-	-	-	-	-	-	-	-	-	-	-	-	-	-	-	-	-
-	-	-	-	-	-	-	-	-	-	-	-	-	-	-	-	-	-	-
●	●	●	●	●	●	●	●	-	-	-	●	●	●	●	●	●	●	●
-	-	-	-	-	-	-	-	-	-	-	-	-	-	-	-	-	-	-
●	●	●	●	●	●	●	●	●	●	●	●	●	●	●	●	●	●	●

● = Available

- = Not Available

✓ = On board

		RTH 4.18	RTH 5.18	RTH 5.21	RTH 5.23	RTH 5.25	RTH 6.21	RTH 6.23	RTH 6.25	RTH 6.30	RTH 6.35	RTH 6.39	RTH 6.46	RTH 6.51	RTH 7.26	RTH 8.25	RTH 13.26
<b>OPT - 02 - 021</b>	Hydraulic block for turret rotation	●	●	●	●	●	●	●	●	●	●	●	●	●	●	●	●
<b>OPT - 02 - 022</b>	Double hydraulic output at the boom head	●	●	●	●	●	●	●	●	●	●	●	●	●	●	●	●
<b>OPT - 02 - 023</b>	Triple hydraulic output at the boom head	●	●	●	●	●	●	●	●	●	●	●	●	●	●	●	●
<b>OPT - 02 - 024</b>	Quick boom in/out	●	●	●	●	●	●	●	●	●	●	●	●	●	●	●	●
<b>OPT - 02 - 025</b>	Hydraulic oil for cold climate	●	●	●	●	●	●	●	●	●	●	●	●	●	●	●	●
<b>OPT - 02 - 026</b>	Bio hydraulic oil	●	●	●	●	●	●	●	●	●	●	●	●	●	●	●	●
<b>OPT - 02 - 027</b>	Heater for engine coolant (230V)	●	●	●	●	●	●	●	●	●	●	●	●	●	●	●	●
<b>OPT - 02 - 031</b>	Pre arrangement for Twin power 400 V	●	●	●	●	●	●	●	●	●	●	●	●	●	●	●	●
<b>OPT - 02 - 032</b>	Holder for stabilizers' plastic pads (including the pads) th	-	-	-	-	-	-	-	-	-	-	-	-	-	-	-	-
<b>OPT - 02 - 033</b>	Heater for engine coolant (110V)	●	●	●	●	●	●	●	●	●	●	●	●	●	●	●	●
<b>OPT - 02 - 034</b>	Standard remote control with a consent button	●	●	●	●	●	●	●	●	●	●	●	●	●	●	●	●
<b>OPT - 02 - 035</b>	Predisposition pour l'installation de la nacelle (TH 5.8/TH5.8 P/THU 5.8)	-	-	-	-	-	-	-	-	-	-	-	-	-	-	-	-
<b>OPT - 02 - 036</b>	Twin power 400V	●	●	●	●	●	●	●	●	●	●	●	●	●	●	●	●
<b>OPT - 02 - 037</b>	Predisposition pour l'installation de la nacelle (TH 6.10 / TH 6.10 P)	-	-	-	-	-	-	-	-	-	-	-	-	-	-	-	-
<b>OPT - 02 - 038</b>	Automatic greasing system RTH	●	●	●	●	●	●	●	●	●	●	●	●	●	●	●	●
<b>OPT - 02 - 039</b>	110 V plug at boom head	●	●	●	●	●	●	●	●	●	●	●	●	●	●	●	●
<b>OPT - 02 - 040</b>	Remote control for tree cutting with display with consent button	●	●	●	●	●	●	●	●	●	●	●	●	●	●	●	●



## PERFORMANCE & WORKING EXPERIENCE

HTH 10.10	HTH 16.10	HTH 20.10	HTH 24.11	HTH 27.11	HTH 30.12	HTH 35.12	HTH 50.14	TH 5.8	TH 5.8 P	THU 5.8	TH 6.10	TH 6.10 P	TH 5,5.15	TH 5,5.15 P	TH 5,5.19	TH 5,5.19 P	TH 6.20	TH 5,5.24
-	-	-	-	-	-	-	-	-	-	-	-	-	-	-	-	-	-	-
●	●	●	●	●	●	●	●	●	●	●	●	●	●	●	●	●	●	●
●	●	●	●	●	●	●	●	●	●	●	●	●	●	●	●	●	●	●
●	●	●	●	●	●	●	●	-	-	-	-	-	-	-	-	-	●	●
●	●	●	●	●	●	●	●	●	●	●	●	●	●	●	●	●	●	●
●	●	●	●	●	●	●	●	●	●	●	●	●	●	●	●	●	●	●
-	-	-	-	-	-	-	-	-	-	-	-	-	-	-	-	-	-	-
-	-	-	-	-	-	-	-	-	-	-	-	-	●	●	●	●	●	●
●	●	●	●	●	●	●	●	●	●	●	●	●	●	●	●	●	●	●
●	●	●	●	●	●	●	●	●	●	●	●	●	●	●	●	●	●	●
-	-	-	-	-	-	-	-	●	●	●	-	-	-	-	-	-	-	-
-	-	-	-	-	-	-	-	-	-	-	-	-	-	-	-	-	-	-
-	-	-	-	-	-	-	-	-	-	-	●	●	-	-	-	-	-	-
-	-	-	-	-	-	-	-	-	-	-	-	-	-	-	-	-	-	-
●	●	●	●	●	●	●	●	●	●	●	●	●	●	●	●	●	●	●
-	-	-	-	-	-	-	-	-	-	-	-	-	-	-	-	-	-	-

● = Available

- = Not Available

✓ = On board





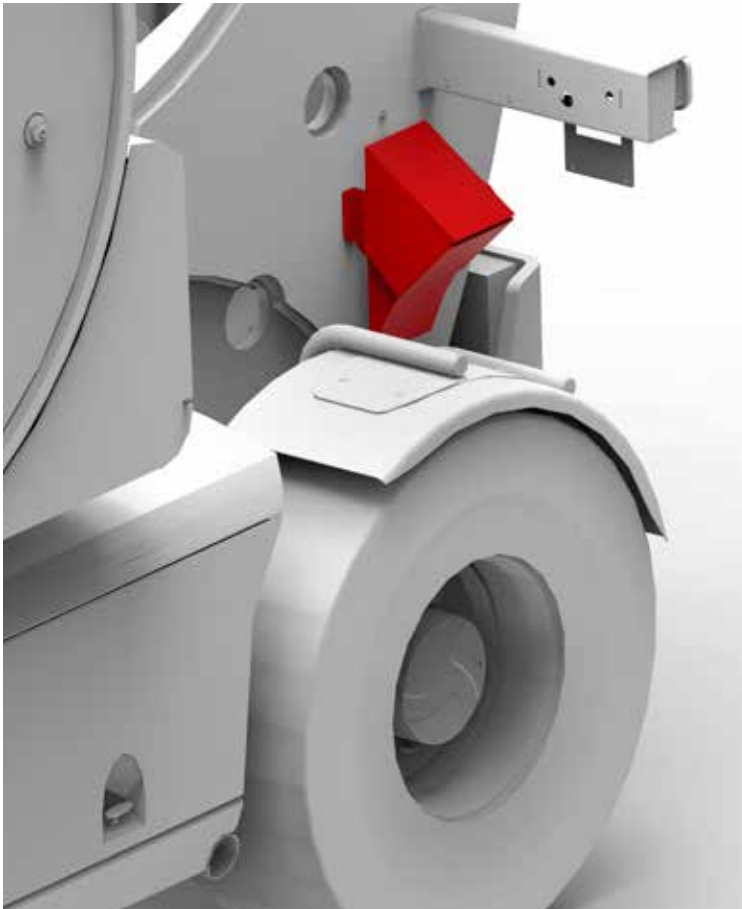


---

## SAFE & SECURE

Safety at **Magni** means products that comply with the latest regulations on health and full safety in any working place and building site.

# 03



## **WHEEL CHOCKS (2) HTH**

*OPT-03-001*

Metal chocks used when parking the machine on slopes to ensure stable positioning.

**Existing kit  
HTH**

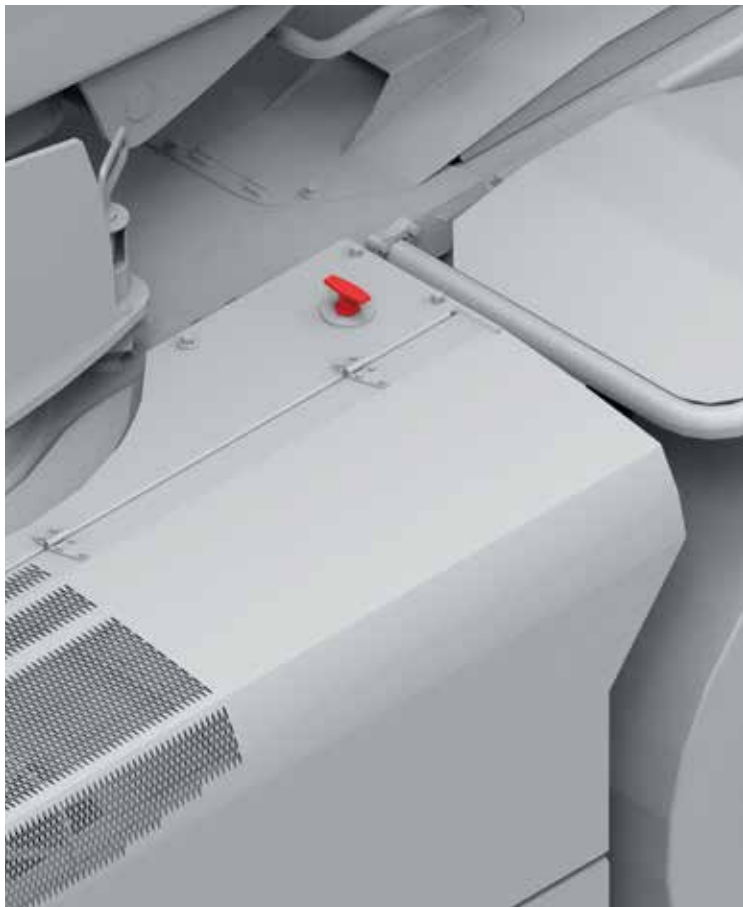


## **WHEEL CHOCKS (2) RTH-TH**

*OPT-03-014*

Metal chocks used when parking the machine on slopes to ensure stable positioning.

**Existing kit  
RTH - TH**



## EXTERNAL BATTERY CUT-OFF

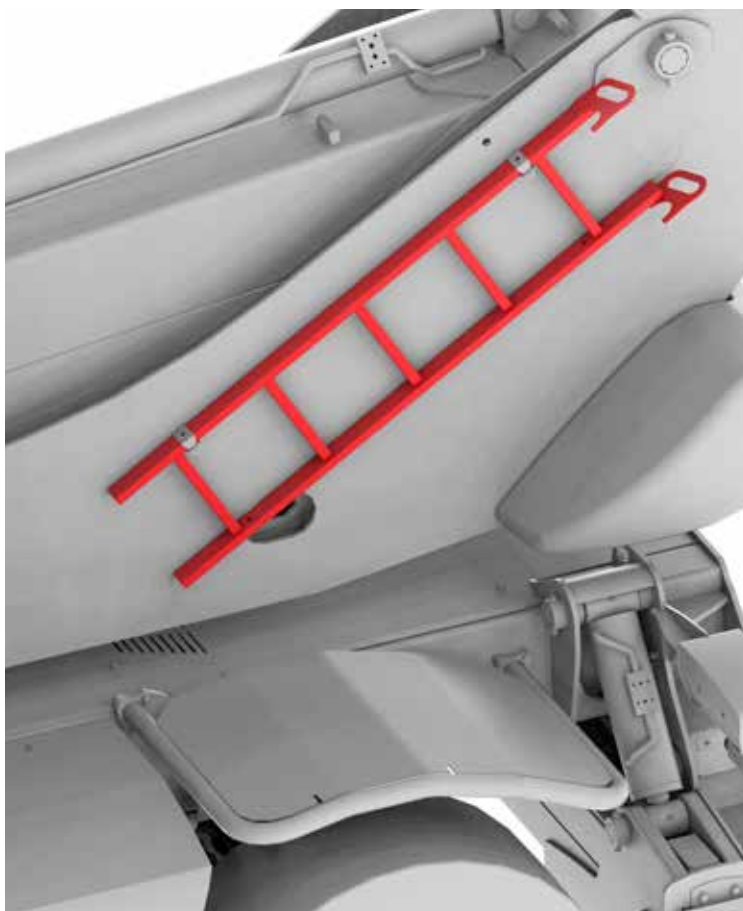
---

*OPT-03-003*

Option consisting of an electrical disconnect lever installed outside the engine compartment.

**Existing kit**

**RTH - HTH - TH**



## LADDER + SUPPORTS

---

*OPT-03-004*

Practical fixed metal ladder to reach the cab and any other part of the machine in complete safety.

**Existing kit**

**RTH**

## PROTECTION GRID FOR WINDSHIELD

---

*OPT-03-005*

Protective metal grid installed on the outside of the windshield to guarantee maximum safety in environments with a high risk of objects falling from height.



**Existing kit**

**RTH - HTH - TH**

## COMPLETE CAB'S GLASS PROTECTION

---

*OPT-03-006*

Complete metal protection grid for all the glasses in the cab. Specific for tunnelling or mining where the risk of fall of heavy objects is very high.



**Existing kit**

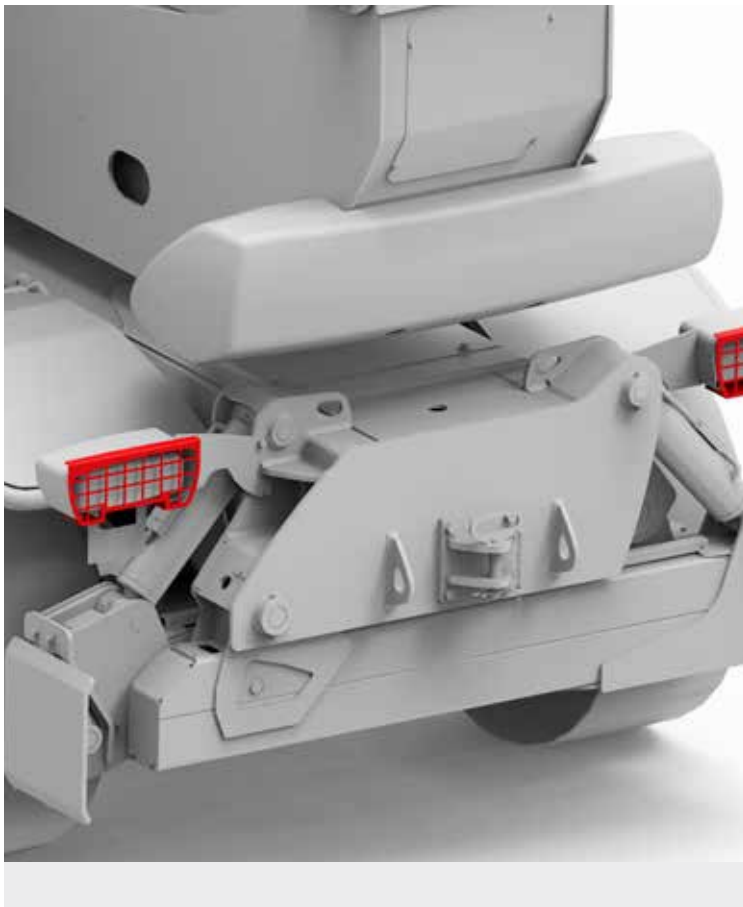
**RTH - HTH - TH**



## HEADLAMP PROTECTION

*OPT-03-009*

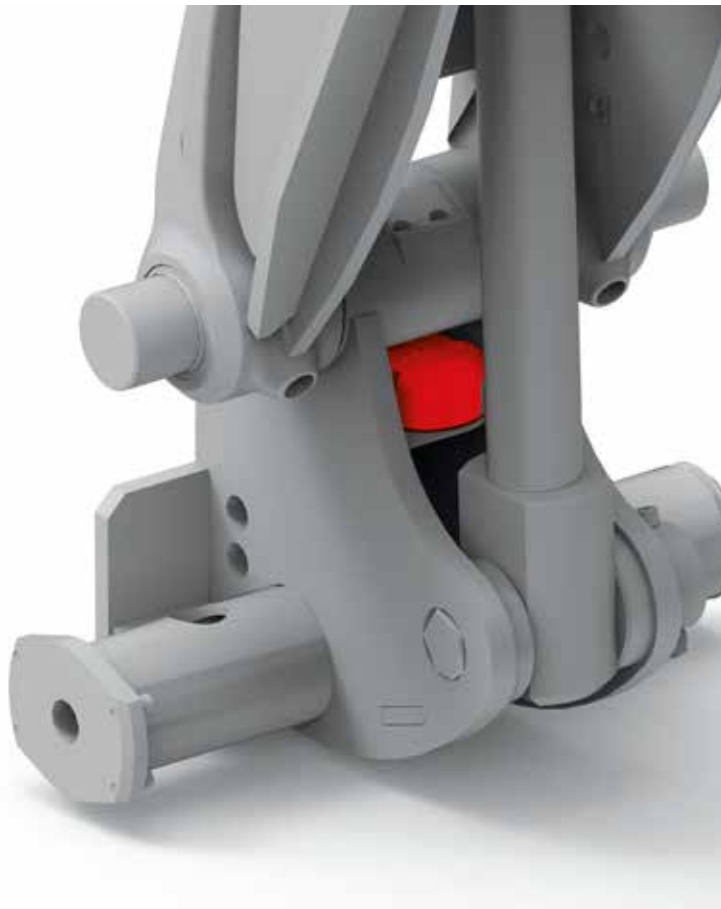
Front and rear light protection option, often used with full cab protection. An optional ideal when using the machine in areas where there is risk of fall of objects from height.



**Existing kit**  
**RTH - TH - HTH**







## ANGLE SENSOR FOR Q- FIT

*OPT-03-007*

Quick coupling inclination sensor.

**Existing kit**

**RTH - HTH - TH**

## WIRELESS ANEMOMETER

*OPT-03-008*

Extremely resistant and flexible wireless anemometer. Body and vanes are made of high quality plastic material and the rotor is mounted on stainless steel ball bearings.

Specifically developed to be connected to the portable display, it uses an industrial radio frequency communication system on the 2.4 GHz band, in compliance with IEEE 802.15.4 standards. The connection system to the display is Plug & Play and therefore no configuration is required. Developed with a new lithium battery that has an autonomy of up to 36 months.

The battery is not included.

**Existing kit**

**RTH - HTH - TH**





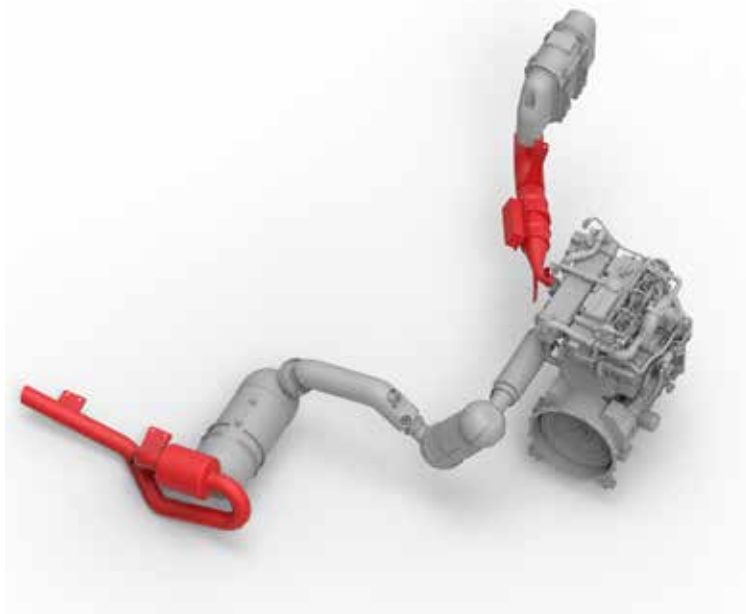


## ANTISPARK SYSTEM (ANTISPARK + VALVE ON THE ENGINE)

*OPT-03-002*

The engine is fitted with devices to prevent any sparks from exiting from the exhaust system, reducing greatly the risk for fire and explosions.

Option available only for Deutz engines.  
Option not necessary for Stage V engines.



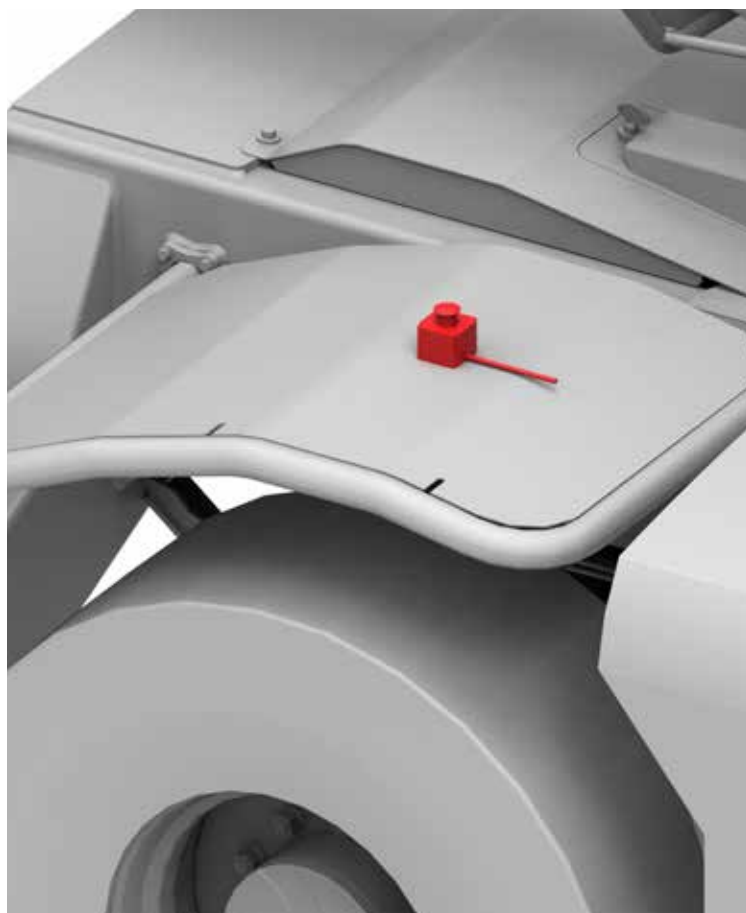
**Existing kit**

**RTH - HTH - TH**

## EMERGENCY STOP BUTTONS

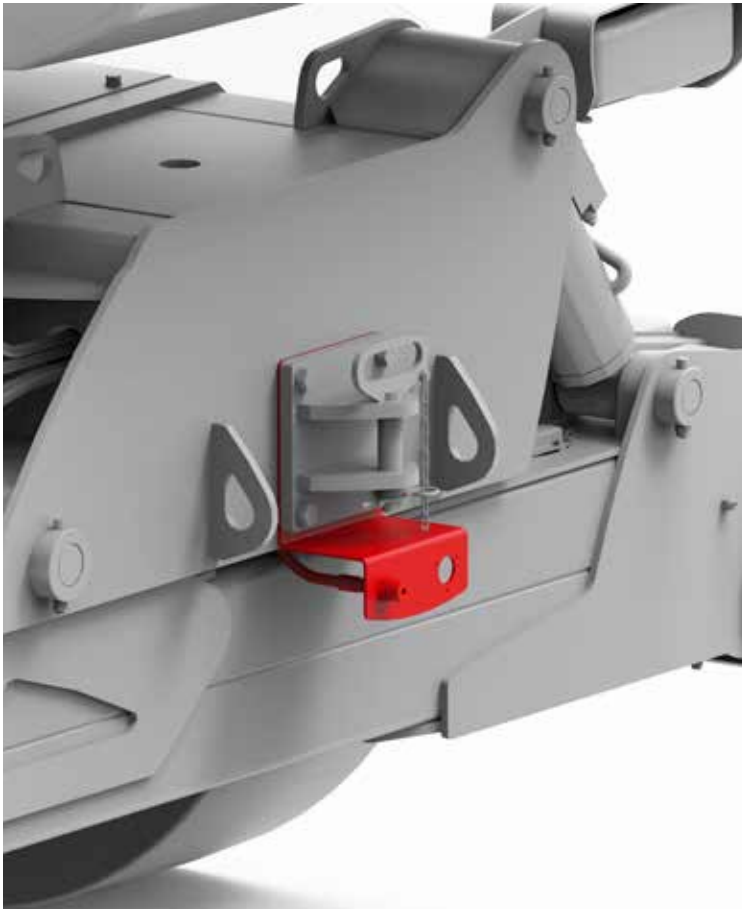
*OPT-03-015*

Option composed by 2 external buttons for the complete shut off of the machine mounted on the lateral sides of the chassis.



**Existing kit**

**RTH - HTH - TH**



## HYDRAULIC TRAILER BRAKING

---

*OPT-03-010*

Option including hydraulic brake line for trailers.

**Existing kit**  
**RTH**

## NO. 4 FOAM FILLED TYRES 445/65 R22,5

---

*OPT-03-012*

This tyre virtually eliminates the risk of damage and blowouts, ensuring the machine remains in full working order and guaranteeing the highest levels of safety during all demanding uses. It is filled with a polyurethane foam which undergoes a chemical reaction and solidifies in 24 hours. The result is an elastomer which will not extrude either from cuts or holes, yet allows the tyre to deflect like a corresponding air-filled model. **The speed of the machine will be reduced for safety reasons with this option. The following kit is a replacement for the standard wheels.**

**Existing kit**  
**RTH - TH - HTH 10.10**



## RIGHT SPARE WHEEL

---



*OPT-03-016 (445/65 R22,5)*

*OPT-03-018 (445/65 R19,5)*

*OPT-03-022 (16/70 R24)*

Type-approved, pre-assembled right wheel composed of rim and tyre.

**Existing kit**

**RTH - HTH - TH**

## LEFT SPARE WHEEL

---



*OPT-03-017 (445/65 R22,5)*

*OPT-03-019 (445/65 R19,5)*

*OPT-03-023 (16/70 R24)*

Type-approved, pre-assembled left wheel composed of rim and tyre.

**Existing kit**

**RTH - HTH - TH**



## NO. 4 AE77 445/65 R22.5 ROAD WHEELS

*OPT-03-024*

Robust, durable, safe and reliable even off-road. This Aeolus 445/65R22.5 radial agricultural tyre has a profile depth of 0.64'. It is the ideal solution for those who often drive on paved roads and need a more comfortable tyre for long distances. Heavy loads are no problem for the AE77, which ensures maximum performance even on tyres.

**Existing kit**

**TH**

## ROAD TYRES + EXTENDED MUDGUARD

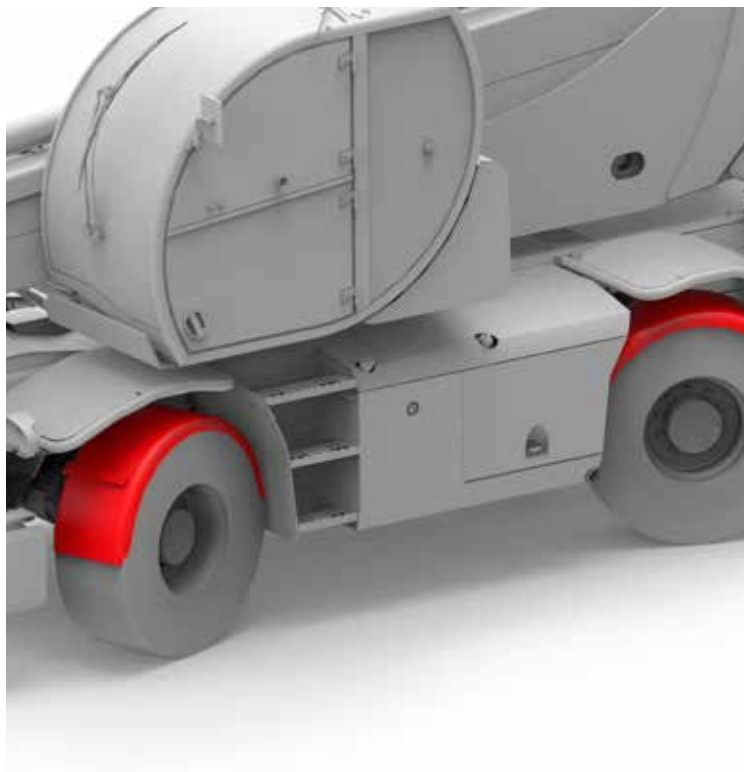
*OPT-03-013*

Option including 4 no. mudguards and 4 no. road tyres. This option helps to preserve carpentry and chromium plating of the vehicle.

Tyres type:  
445/65 R22.5 AE77

**Existing kit**

**RTH**

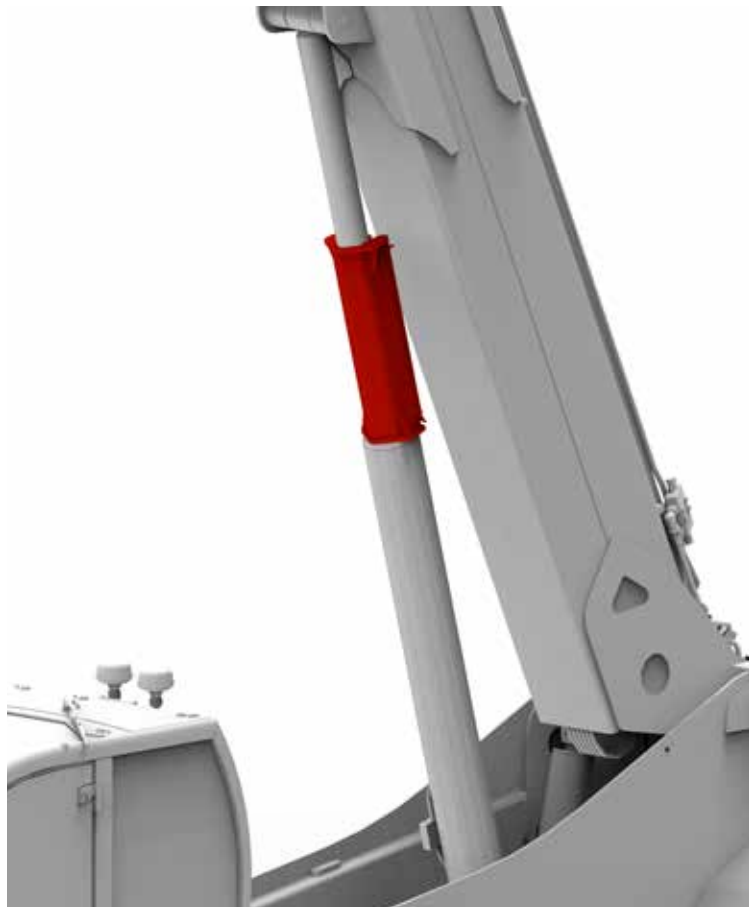




## LIFTING CYLINDER STOP

*OPT-03-020*

Safety device for stopping the lifting cylinder.



**Existing kit**  
**RTH - TH - HTH**



		RTH 4.18	RTH 5.18	RTH 5.21	RTH 5.23	RTH 5.25	RTH 6.21	RTH 6.23	RTH 6.25	RTH 6.30	RTH 6.35	RTH 6.39	RTH 6.46	RTH 6.51	RTH 7.26	RTH 8.25	RTH 13.26
<b>OPT - 03 - 001</b>	Wheel chocks (2) HTH	-	-	-	-	-	-	-	-	-	-	-	-	-	-	-	-
<b>OPT - 03 - 002</b>	Antispark system (antispark + valve on the engine)	●	●	●	●	●	●	●	●	●	●	●	●	●	●	●	●
<b>OPT - 03 - 003</b>	External battery cut-off	●	●	●	●	●	●	●	●	●	●	●	●	●	●	●	●
<b>OPT - 03 - 004</b>	Ladder + supports	●	●	●	●	●	●	●	●	●	●	●	●	●	●	●	●
<b>OPT - 03 - 005</b>	Protection grid for windshield	●	●	●	●	●	●	●	●	●	●	●	●	●	●	●	●
<b>OPT - 03 - 006</b>	Complete cab's glass protection	●	●	●	●	●	●	●	●	●	●	●	●	●	●	●	●
<b>OPT - 03 - 007</b>	Angle sensor for quick fit	●	●	●	●	●	●	●	●	●	●	●	●	●	●	●	●
<b>OPT - 03 - 008</b>	Wireless anemometer	●	●	●	●	●	●	●	●	●	●	●	●	●	●	●	●
<b>OPT - 03 - 009</b>	Headlamp protection	●	●	●	●	●	●	●	●	●	●	●	●	●	●	●	●
<b>OPT - 03 - 010</b>	Hydraulic trailer breaking	●	●	●	●	●	●	●	●	●	●	●	●	●	●	●	●
<b>OPT - 03 - 012</b>	No. 4 foam filled tyres 445/65 R22,5	-	●	●	●	●	●	●	●	●	●	●	-	-	●	●	-
<b>OPT - 03 - 013</b>	Road tyres + extended mud-guard	●	●	●	●	●	●	●	●	●	●	●	●	●	●	●	●
<b>OPT - 03 - 014</b>	Wheel chocks (2) RTH - th	●	●	●	●	●	●	●	●	●	●	●	●	●	●	●	●
<b>OPT - 03 - 015</b>	Emergency stop buttons	●	●	●	●	●	●	●	●	●	●	●	●	●	●	●	●
<b>OPT - 03 - 016</b>	Right spare wheel 445/65 R22,5	-	●	●	●	●	●	●	●	●	●	●	-	-	●	●	-
<b>OPT - 03 - 017</b>	Left spare wheel 445/65 R22,5	-	●	●	●	●	●	●	●	●	●	●	-	-	●	●	-
<b>OPT - 03 - 018</b>	Right spare wheel 445/65 R19,5	●	-	-	-	-	-	-	-	-	-	-	-	-	-	-	-
<b>OPT - 03 - 019</b>	Left spare wheel 445/65 R19,5	●	-	-	-	-	-	-	-	-	-	-	-	-	-	-	-
<b>OPT - 03 - 020</b>	Lifting cylinder stop	●	●	●	●	●	●	●	●	●	●	●	●	●	●	●	●
<b>OPT - 03 - 022</b>	Right spare wheel 16/70 R24	-	-	-	-	-	-	-	-	-	-	-	-	-	-	-	-
<b>OPT - 03 - 023</b>	Left spare wheel 16/70 R24	-	-	-	-	-	-	-	-	-	-	-	-	-	-	-	-
<b>OPT - 03 - 024</b>	No. 4 AE77 445/65 R22.5 road wheels	-	-	-	-	-	-	-	-	-	-	-	-	-	-	-	-



## SAFE & SECURE

HTH 10.10	HTH 16.10	HTH 20.10	HTH 24.11	HTH 27.11	HTH 30.12	HTH 35.12	HTH 50.14	TH 5.8	TH 5.8 P	THU 5.8	TH 6.10	TH 6.10 P	TH 5,5.15	TH 5,5.15 P	TH 5,5.19	TH 5,5.19 P	TH 6.20	TH 5,5.24
●	●	●	●	●	●	●	●	■	■	■	■	■	■	■	■	■	■	■
●	●	●	●	●	●	●	●	●	●	●	●	●	●	●	●	●	●	●
●	●	●	●	●	●	●	●	●	●	●	●	●	●	●	●	●	●	●
■	■	■	■	■	■	■	■	■	■	■	■	■	■	■	■	■	■	■
●	●	●	●	●	●	●	●	●	●	●	●	●	●	●	●	●	●	●
●	●	●	●	●	●	●	●	●	●	●	●	●	●	●	●	●	●	●
●	●	●	●	●	●	●	●	●	●	●	●	●	●	●	●	●	●	●
●	●	●	●	●	●	●	●	●	●	●	●	●	●	●	●	●	●	●
■	■	■	■	■	■	■	■	■	■	■	■	■	■	■	■	■	■	■
●	■	■	■	■	■	■	■	●	●	■	●	●	●	●	●	●	●	●
■	■	■	■	■	■	■	■	■	■	■	■	■	■	■	■	■	■	■
■	■	■	■	■	■	■	■	●	●	●	●	●	●	●	●	●	●	●
●	●	●	●	●	●	●	●	●	●	●	●	●	●	●	●	●	●	●
●	■	■	■	■	■	■	■	●	●	■	●	●	●	●	●	●	●	●
●	■	■	■	■	■	■	■	●	●	■	●	●	●	●	●	●	●	●
■	■	■	■	■	■	■	■	■	■	■	■	■	■	■	■	■	■	■
■	■	■	■	■	■	■	■	■	■	■	■	■	■	■	■	■	■	■
●	●	●	●	●	●	●	●	●	●	●	●	●	●	●	●	●	●	●
■	■	■	■	■	■	■	■	■	■	●	■	■	■	■	■	■	■	■
■	■	■	■	■	■	■	■	■	■	●	■	■	■	■	■	■	■	■
■	■	■	■	■	■	■	■	●	●	■	●	●	●	●	●	●	●	●

● = Available

■ = Not Available

✓ = On board







---

## SPECIAL CERTIFICATIONS

**Magni** offers its network special certifications required for various markets. Search for the one you require.

# 04

## TUV

---

### OPT-04-001

The TÜV kit has been designed to make the machine compliant for operation in the Netherlands and Germany in accordance with applicable regulations. Specifically, the kit includes a three-element LED signal light tower to indicate the load status, and other minor electronic and mechanical provisions.

For rotating models, an additional ladder installed on the machine turret is also included. This is a mandatory kit for all machines destined for the above-mentioned countries. Type approval is not included.

**Existing kit**

**RTH - HTH - TH**

## ITALIAN ROAD USE PROVISION

---

### OPT-04-002

Option for road use including electronic, mechanical, lighting and signalling devices, as well as adhesive warning stickers and signage, required for road use as specified by the relevant highway codes.

**Existing kit**

**RTH - TH**

## NETHERLANDS AND GERMANY ROAD USE PROVISION

---

### OPT-04-004

Option for road use including electronic, mechanical, lighting and signalling devices, as well as adhesive warning stickers and signage, required for road use as specified by the relevant highway codes.

**Existing kit**

**RTH - TH**

## BUREAU VERITAS CERTIFICATION

---

### OPT-04-006

Certification relating to quality standards, which certifies conformity of the product with applicable standards and regulations. The certification is issued by the organisation Bureau Veritas Certification and is available for the **French market only**.

**Existing kit**

**RTH - TH - HTH**



		RTH 4.18	RTH 5.18	RTH 5.21	RTH 5.23	RTH 5.25	RTH 6.21	RTH 6.23	RTH 6.25	RTH 6.30	RTH 6.35	RTH 6.39	RTH 6.46	RTH 6.51	RTH 7.26	RTH 8.25	RTH 13.26
<b>OPT-04-001</b>	TÜV	●	●	●	●	●	●	●	●	●	●	●	●	●	●	●	●
<b>OPT-04-002</b>	Italian road use provision	●	●	●	●	●	●	●	●	●	●	●	●	●	●	●	●
<b>OPT-04-004</b>	Netherlands and Germany road use provision	●	●	●	●	●	●	●	●	●	●	●	●	●	●	●	●
<b>OPT-04-006</b>	Bureau veritas certification	●	●	●	●	●	●	●	●	●	●	●	●	●	●	●	●



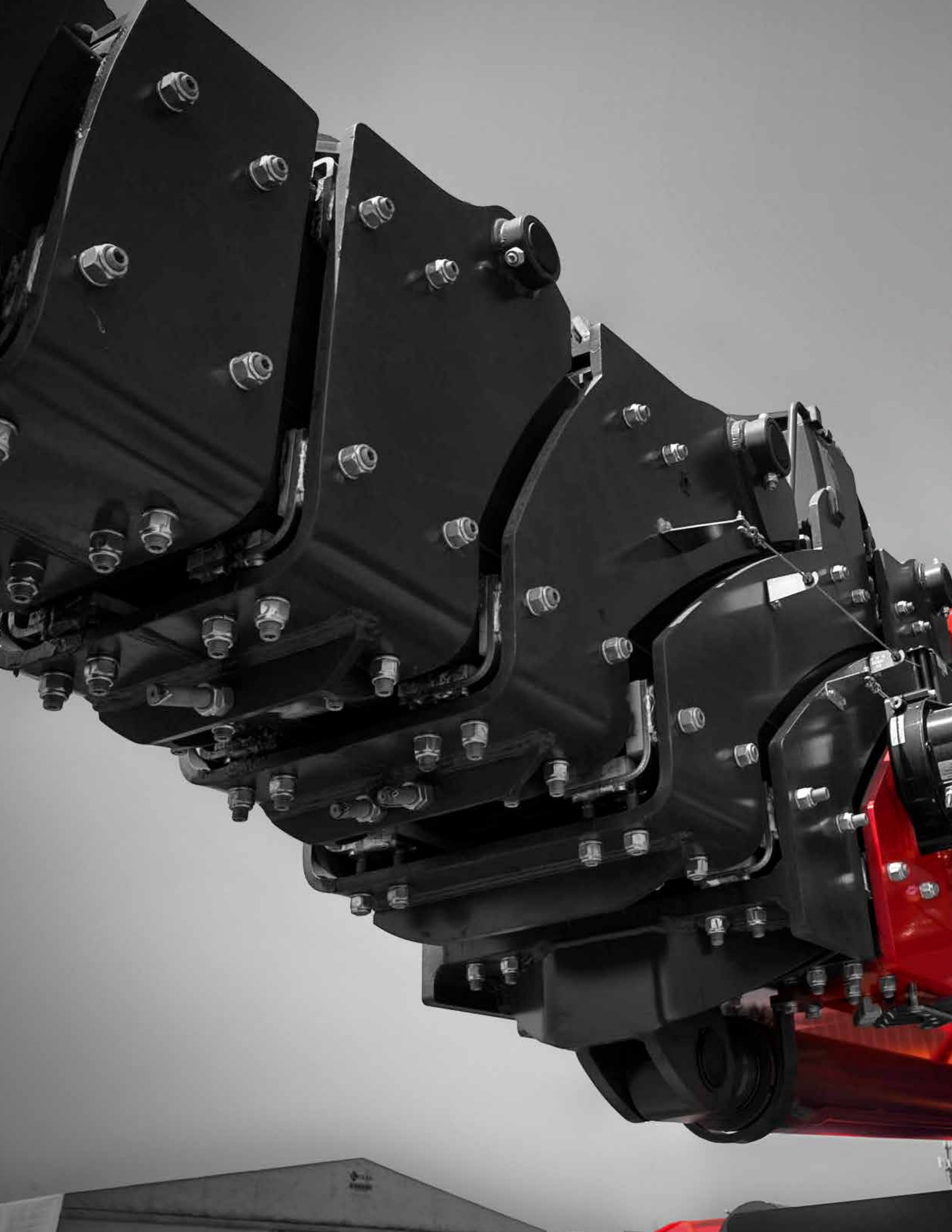
## ROAD & TRAFFIC POLICY

HTH 10.10	HTH 16.10	HTH 20.10	HTH 24.11	HTH 27.11	HTH 30.12	HTH 35.12	HTH 50.14	TH 5.8	TH 5.8 P	THU 5.8	TH 6.10	TH 6.10 P	TH 5,5.15	TH 5,5.15 P	TH 5,5.19	TH 5,5.19 P	TH 6.20	TH 5.24
●	●	●	●	●	●	●	●	●	●	●	●	●	●	●	●	●	●	●
■	■	■	■	■	■	■	■	●	●	●	●	●	●	●	●	●	●	●
■	■	■	■	■	■	■	■	●	●	●	●	●	●	●	●	●	●	●
●	●	●	●	●	●	●	●	●	●	●	●	●	●	●	●	●	●	●

● = Available

■ = Not Available

✓ = On board





---

## SPECIAL

For each special application **Magni** has the right solution, that allow you to do the job in complete safety and even improve the machine's performances.

# 05

## PRE ARRANGEMENT FOR TREE CUTTING DEVICE

---

### OPT-05-001

This option prepares the machine for connection with the tree cutting attachment. The kit comprises:

- Working lights led on cab (front / rear )
- Dedicated left side Joystick (double roller)
- Dedicated right side joystick (additional roller next to the gear selector)
- Wireless camera on boom head with protection
- Orientable wireless camera with protection on the right side mirror
- HD monitor in cab for wireless cameras
- Protection grille for windscreen
- Cabin dedicated Air filter F7 filtration class

### Existing kit

## RTH

## BOOM PROTECTION FOR TREE CUTTING DEVICE AND DUSTY ENVIRONMENTS

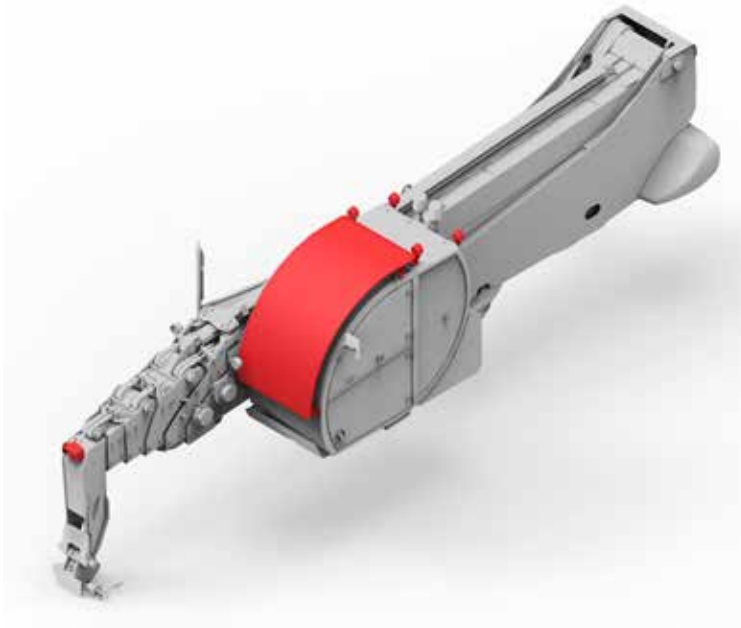
---

### OPT-05-005

Set of caps and protections for the boom holes to protect from intrusion of dust and debris in the boom.

### Existing kit

## RTH









## ELEVATING CAB

---

*OPT-05-004*

Option which allows the cab to be installed on a mobile hydraulic support to obtain an elevation of up to 1.5 m and a further degree of freedom of cab inclination from 0° to a maximum of 15°. With this optional, the maximum speed of the machine is limited to 25 km/h.

**Existing kit**  
**RTH**



## MY MAGNI

---

*OPT-05-010*

The new GPS system that can provide a total overview that enables you to map and track every movement of your fleet, and displays the most critical items on your dashboard.

Technical alarms and maintenance data help to keep your fleet running and in perfect condition at all times.

Whereas, safety warnings alert you of malfunctions and safety-related defects.

MyMagni is available on Desktop, Apple Store and Google Play Store.

For the RTH and HTH range, the first three years' subscription is included in the price of the machine.



**Existing kit**  
**RTH - HTH - TH**





## SPECIAL PAINTING (COMPLETE MACHINE)

*OPT-05-002*

Option consisting of custom colour for the following machine parts: chassis, stabilisers, cab, boom and extensions.



**On request**

**RTH - HTH - TH**

## SPECIAL PAINTING (REPLACING ONLY MAGNI RED)

*OPT-05-003*

Option consisting of custom colour for the following machine parts: chassis-turret and boom, and engine compartment/tank.



**On request**

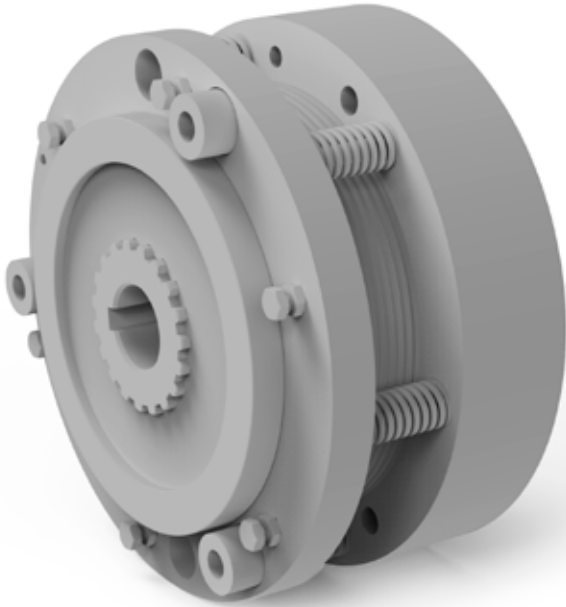
**RTH - HTH - TH**



## INDUCTION BRAKE SYSTEM FOR RTH

---

*OPT-05-006*



Induction brakes commonly called electric or electromagnetic retarders allow slowing down braking, dissipating a large part of the braking energy and thus relieving the load on conventional braking systems. Thanks to induction brakes it is possible to effectively slow down a rotating transmission shaft, without friction and therefore without wear.

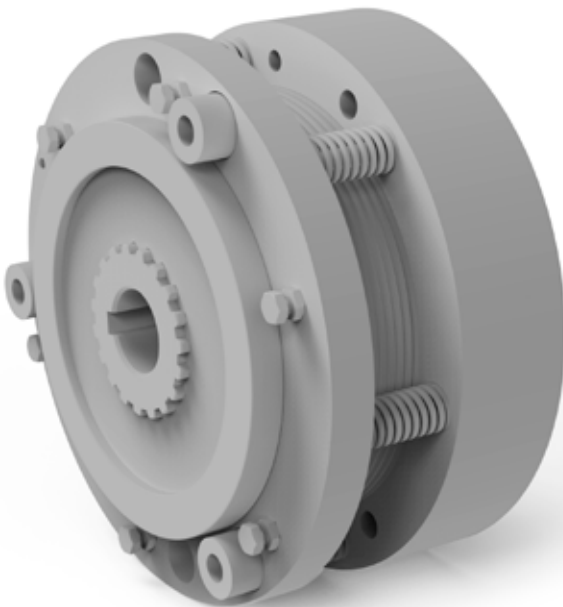
**On request**

**RTH**

## INDUCTION BRAKE SYSTEM FOR HTH

---

*OPT-05-007*



Induction brakes commonly called electric or electromagnetic retarders allow slowing down braking, dissipating a large part of the braking energy and thus relieving the load on conventional braking systems. Thanks to induction brakes it is possible to effectively slow down a rotating transmission shaft, without friction and therefore without wear.

**On request**

**HTH**

		RTH 4.18	RTH 5.18	RTH 5.21	RTH 5.23	RTH 5.25	RTH 6.21	RTH 6.23	RTH 6.25	RTH 6.30	RTH 6.35	RTH 6.39	RTH 6.46	RTH 6.51	RTH 7.26	RTH 8.25	RTH 13.26
<b>OPT - 05 - 001</b>	Pre arrangement for tree cutting device	●	●	●	●	●	●	●	●	●	●	●	●	●	●	●	●
<b>OPT - 05 - 002</b>	Boom protection for tree cutting device and dusty environments	●	●	●	●	●	●	●	●	●	●	●	●	●	●	●	●
<b>OPT - 05 - 003</b>	Elevating cab	●	●	●	●	●	●	●	●	●	●	●	●	●	●	●	●
<b>OPT - 05 - 004</b>	Special painting (complete machine)	●	●	●	●	●	●	●	●	●	●	●	●	●	●	●	●
<b>OPT - 05 - 005</b>	Special painting (replacing only Magni red)	●	●	●	●	●	●	●	●	●	●	●	●	●	●	●	●
<b>OPT - 05 - 006</b>	Induction brake system for RTH	●	●	●	●	●	●	●	●	●	●	●	●	●	●	●	●
<b>OPT - 05 - 007</b>	Induction brake system for HTH	-	-	-	-	-	-	-	-	-	-	-	-	-	-	-	-
<b>OPT - 05 - 010</b>	MyMagni	✓	✓	✓	✓	✓	✓	✓	✓	✓	✓	✓	✓	✓	✓	✓	✓



[Red Bar]																		
HTH 10.10	HTH 16.10	HTH 20.10	HTH 24.11	HTH 27.11	HTH 30.12	HTH 35.12	HTH 50.14	TH 5.8	TH 5.8 P	THU 5.8	TH 6.10	TH 6.10 P	TH 5,5.15	TH 5,5.15 P	TH 5,5.19	TH 5,5.19 P	TH 6.20	TH 5,5.24
-	-	-	-	-	-	-	-	-	-	-	-	-	-	-	-	-	-	-
●	●	●	●	●	●	●	●	-	-	-	-	-	-	-	-	-	-	-
●	●	●	●	●	●	●	●	-	-	-	-	-	-	-	-	-	-	-
-	-	-	-	-	-	-	-	-	-	-	-	-	-	-	-	-	-	-
-	-	-	-	-	-	-	-	-	-	-	-	-	-	-	-	-	-	-
-	-	-	-	-	-	-	-	-	-	-	-	-	-	-	-	-	-	-
●	●	●	●	●	●	●	●	-	-	-	-	-	-	-	-	-	-	-
✓	✓	✓	✓	✓	✓	✓	✓	●	●	●	●	●	●	●	●	●	●	●

● = Available

- = Not Available

✓ = On board







# ALPHABETICAL INDEX

Option Code	Description	SECTION
<b>OPT - 02 - 039</b>	110 V plug at boom head	2-2
<b>OPT - 01 - 016</b>	12" Display	1-14
<b>OPT - 01 - 002</b>	Additional heater 24V (Eberspächer)	1-2
<b>OPT - 01 - 017</b>	Air conditioning (RTH 4.18)	1-14
<b>OPT - 01 - 022</b>	Air conditioning for (TH 55kW)	1-14
<b>OPT - 01 - 009</b>	Air suspended seat	1-10
<b>OPT - 01 - 019</b>	Air suspended seat with heating 24V	1-13
<b>OPT - 03 - 007</b>	Angle sensor for quick fit	3-8
<b>OPT - 03 - 002</b>	Antispark system (antispark + valve on the engine)	3-9
<b>OPT - 02 - 018</b>	Automatic greasing system	2-2
<b>OPT - 02 - 038</b>	Automatic greasing system	2-2
<b>OPT - 02 - 026</b>	Bio hydraulic oil	2-17
<b>OPT - 05 - 005</b>	Boom protection for tree cutting device and dusty environments	5-2
<b>OPT - 01 - 001</b>	Boom suspension	1-3
<b>OPT - 04 - 006</b>	Bureau Veritas Certification	4-2
<b>OPT - 02 - 014</b>	Cold climates package	2-16
<b>OPT - 03 - 006</b>	Complete cab's glass protection	3-4
<b>OPT - 02 - 013</b>	Complete tool box	2-12
<b>OPT - 02 - 015</b>	Complete towing hook	2-11
<b>OPT - 02 - 022</b>	Double hydraulic output at the boom head	2-15
<b>OPT - 05 - 004</b>	Elevating cab	5-2
<b>OPT - 03 - 015</b>	Emergency stop buttons	3-9
<b>OPT - 03 - 003</b>	External battery cut-off	3-3
<b>OPT - 02 - 006</b>	Front and rear led headlamps	2-4
<b>OPT - 03 - 009</b>	Headlamp protection	3-5
<b>OPT - 01 - 013</b>	Heated rear view mirrors (all) 24V	1-12
<b>OPT - 01 - 012</b>	Heated seat 24V	1-11
<b>OPT - 02 - 033</b>	Heater for engine coolant (110V)	2-18
<b>OPT - 02 - 027</b>	Heater for engine coolant (230V)	2-18
<b>OPT - 02 - 019</b>	Holder for stabilizers' plastic pads (including the pads) RTH	2-13

<b>Option Code</b>	<b>Description</b>	<b>SECTION</b>
<b>OPT - 02 - 032</b>	Holder for stabilizers' plastic pads (including The pads) TH	2-14
<b>OPT - 02 - 021</b>	Hydraulic block for turret rotation	2-15
<b>OPT - 02 - 020</b>	Hydraulic lock for attachments	2-14
<b>OPT - 02 - 025</b>	Hydraulic oil for cold climate	2-17
<b>OPT - 03 - 010</b>	Hydraulic trailer breaking	3-10
<b>OPT - 05 - 007</b>	Induction brake system for HTH	5-7
<b>OPT - 05 - 006</b>	Induction brake system for RTH	5-7
<b>OPT - 03 - 004</b>	Ladder + supports	3-3
<b>OPT - 02 - 007</b>	LED lights on the boom	2-5
<b>OPT - 02 - 005</b>	LED lights on the bottom of the cab front	2-4
<b>OPT - 02 - 003</b>	LED lights on top of the cab front	2-3
<b>OPT - 02 - 004</b>	LED lights on top of the cab rear	2-3
<b>OPT - 03 - 023</b>	Left spare wheel 16/70 R24	3-11
<b>OPT - 03 - 019</b>	Left spare wheel 445/65 R19,5	3-11
<b>OPT - 03 - 017</b>	Left spare wheel 445/65 R22,5	3-11
<b>OPT - 03 - 020</b>	Lifting cylinder stop	3-13
<b>OPT - 05 - 010</b>	MyMagni	5-2
<b>OPT - 04 - 004</b>	Netherlands and Germany road use provision	4-2
<b>OPT - 01 - 020</b>	No. 1 Camera on right hand side (TH 5,5.15/TH 5,5.19/TH 6.10)	1-4
<b>OPT - 01 - 021</b>	No. 1 Camera on right hand side (TH 5.8 / THU 5.8)	1-4
<b>OPT - 01 - 005</b>	No. 1 wireless Camera on the rear	1-4
<b>OPT - 01 - 006</b>	No. 2 Cameras (front + rear wireless + monitor in the cab)	1-5
<b>OPT - 01 - 007</b>	No. 3 Cameras (2 front + 1 rear wireless + monitor in the cab)	1-6
<b>OPT - 03 - 024</b>	No. 4 AE77 445/65 R22.5 road wheels	3-12
<b>OPT - 01 - 018</b>	No. 4 Cameras	1-7
<b>OPT - 01 - 008</b>	No. 4 Cameras 360° view	1-7
<b>OPT - 03 - 012</b>	No. 4 foam filled tyres 445/65 R22,5	3-10
<b>OPT - 01 - 004</b>	No.1 camera on right hand side	1-3
<b>OPT - 02 - 035</b>	Pre arrangement for platforms (TH 5.8/TH5.8 P/THU 5.8)	2-10
<b>OPT - 02 - 037</b>	Pre arrangement for platforms (TH 6.10 / TH 6.10 P)	2-10
<b>OPT - 05 - 001</b>	Pre arrangement for tree cutting device	5-2

# ALPHABETICAL INDEX

Option Code	Description	SECTION
<b>OPT - 02 - 031</b>	Pre arrangement for Twin power 400 V	2-19
<b>OPT - 03 - 005</b>	Protection grid for windshield	3-4
<b>OPT - 02 - 024</b>	Quick boom in/out	2-11
<b>OPT - 01 - 015</b>	Radio dab	1-13
<b>OPT - 02 - 017</b>	Rear electric plug 24v for trailer (13 pins)	2-13
<b>OPT - 02 - 016</b>	Rear electric plug 24v for trailer (7 pins)	2-12
<b>OPT - 01 - 003</b>	Remote control for additional heater 24V (Eberspächer)	1-2
<b>OPT - 02 - 011</b>	Remote control for tree cutting with display	2-7
<b>OPT - 02 - 040</b>	Remote control for tree cutting with display with consent button	2-7
<b>OPT - 02 - 009</b>	Remote control with display	2-6
<b>OPT - 02 - 010</b>	Remote control with display with consent button	2-6
<b>OPT - 02 - 012</b>	Remote drive pre-arrangement	2-10
<b>OPT - 03 - 022</b>	Right spare wheel 16/70 R24	3-11
<b>OPT - 03 - 018</b>	Right spare wheel 445/65 R19,5	3-11
<b>OPT - 03 - 016</b>	Right spare wheel 445/65 R22,5	3-11
<b>OPT - 03 - 013</b>	Road tyres + extended mudguard	3-12
<b>OPT - 04 - 002</b>	Road use Italy	4-2
<b>OPT - 01 - 014</b>	Roll-up sunblind	1-12
<b>OPT - 01 - 011</b>	Seat headrest	1-11
<b>OPT - 05 - 002</b>	Special painting (complete machine)	5-6
<b>OPT - 05 - 003</b>	Special painting (replacing only Magni red)	5-6
<b>OPT - 02 - 008</b>	Standard remote control	2-5
<b>OPT - 02 - 034</b>	Standard remote control with a consent button	2-5
<b>OPT - 01 - 010</b>	Tilting seat	1-10
<b>OPT - 02 - 023</b>	Triple hydraulic output at the boom head	2-16
<b>OPT - 04 - 001</b>	TÜV	4-2
<b>OPT - 02 - 036</b>	Twin power 400V	2-19
<b>OPT - 03 - 001</b>	Wheel chocks (2) HTH	3-2
<b>OPT - 03 - 014</b>	Wheel chocks (2) RTH - TH	3-2
<b>OPT - 03 - 008</b>	Wireless anemometer	3-8



